



EXACT FURNITURE



PRICE BOOK 2023

DEALER 

ABOUT EXACT FURNITURE

Exact Furniture manufactures a wide range of furniture related to the audio visual market. Our major product lines are Lecterns, Multimedia Furniture, Height Adjustable Furniture, Collaborative and Conference Tables, Credenzas, AV Cabinets and Carts, Display Furniture and Custom Furniture.

At Exact Furniture, we sell to several end markets with a major emphasis on Education, Corporate and Government. The experience we have gained meeting the high standards of these institutions has allowed Exact Furniture to become a leader in developing contemporary furniture that enhances productivity. We strongly believe in supporting our dealer network across North America and Europe and strive to provide the best customer service in the industry.



INDEX

PODIUMS & LECTERNS

PM-200	6
PM-250	6
PM-300	7
PM-350	7
PM-350 LIFT	8
PM-400	8
PM-432	9
PM-436	9
ED-LEC3834	10
PM-500	10
PM-550	11
PMT-100	11
IC-1000	12
PM-900	12
ED-LEC2423	13
PM-4800	13
MM-200	14
MM-250	14
MM-1200	15
MM-2500	15

HEIGHT ADJUSTABLE TABLES

LT-3048	17
LT-3060	17
LT-3072	17
DS-700	17
DS-710	18
DS-740	18
DS-740C	19
DS-900	19
DS-900 RACK	20
DS-800	20
DS-950 RACK	21
DS-3040	21
ED-MPD3048	22
ED-MPD3060	22
ED-MPD3072	23

CONFERENCE & BOARDROOM TABLES

CT-400	25
CT-720	26
CT-720-LIFT	27
CT-600	27
CT-730	28
CT-3672	28
VT-500	29

DESKS

DS-100	31
DS-680	31
DS-600	32
DS-600L	32
DS-720	33
DS-4230	33

CREDENZAS

CR-212	35
CR-216	35
CR-220	36
CR-312	36
CR-316	37
CR-412	37
DC-212	38
DC-312	38
DC-412	39

RACK CABINETS & CARTS

RA-120	41
RA-160	41
RA-200	42
RE-112	42
RE-116	43
RE-120	43
AVCAB-12	44
AVCAB-16	44
AVCAB-20	44
CE-160	45

DISPLAY FURNITURE

MC-352	47
MC-364	47
MC-600	48
MC-700	48

BOARDS

EXMES, EXDM	50
-------------	----

FINISHES & OPTIONS

Some Options Not Available	
On All Products	52-54
Freight Rates	55

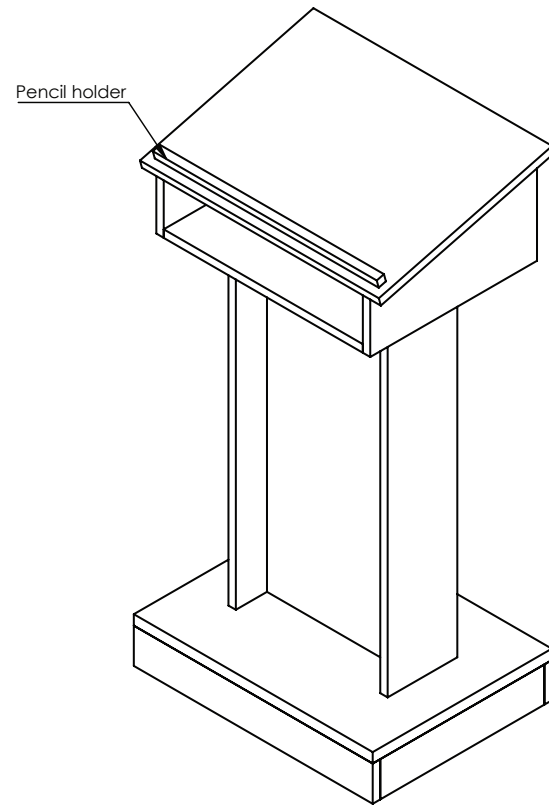
PODIUMS & LECTERNS



PM-200 PEDESTAL LECTERN

Pedestal lectern has a sloped work surface with a pencil ledge, and a small storage compartment below the work surface. Lightweight, easy to move.

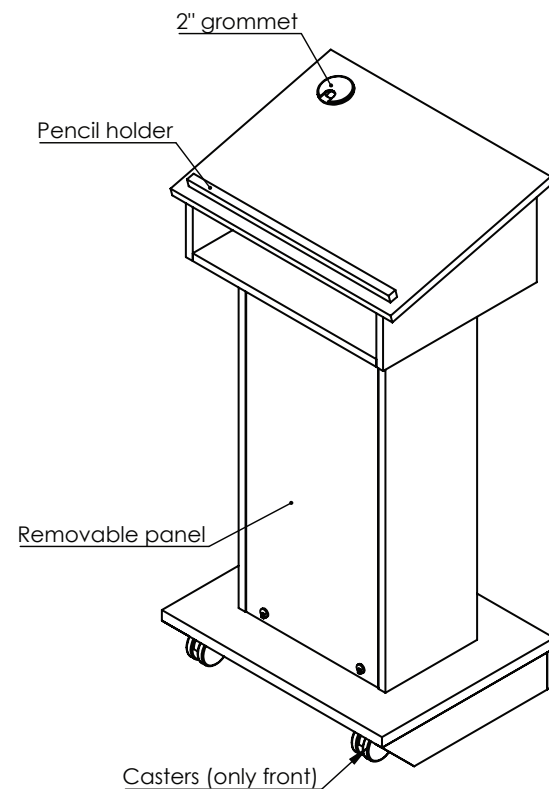
LIST PRICE
\$1,297



PM-250 PEDESTAL LECTERN WITH CENTER CHANNEL

Pedestal lectern has a sloped work surface with a pencil ledge, a small storage compartment below work surface and a center channel for cables with locking access panel.

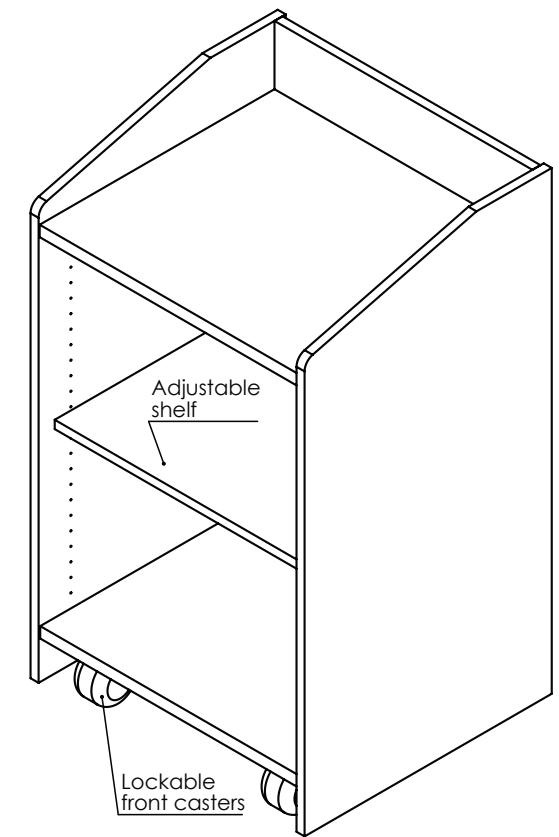
LIST PRICE
\$1,472



PM-300 25" WIDE LECTERN

The PM-300 is both economical and very functional. It comes with an adjustable shelf, locking casters and cable management, a door is optional.

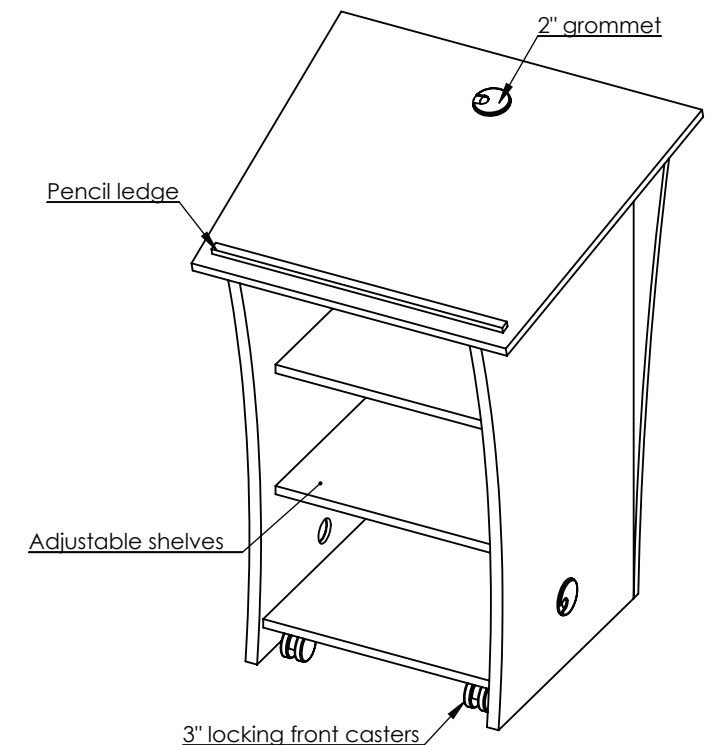
LIST PRICE
\$1,307



PM-350 CURVED LECTERN

The PM-350 has curved sides and a sloped top for a more contemporary look at an attractive price. It comes with an adjustable shelf, locking casters and cable management.

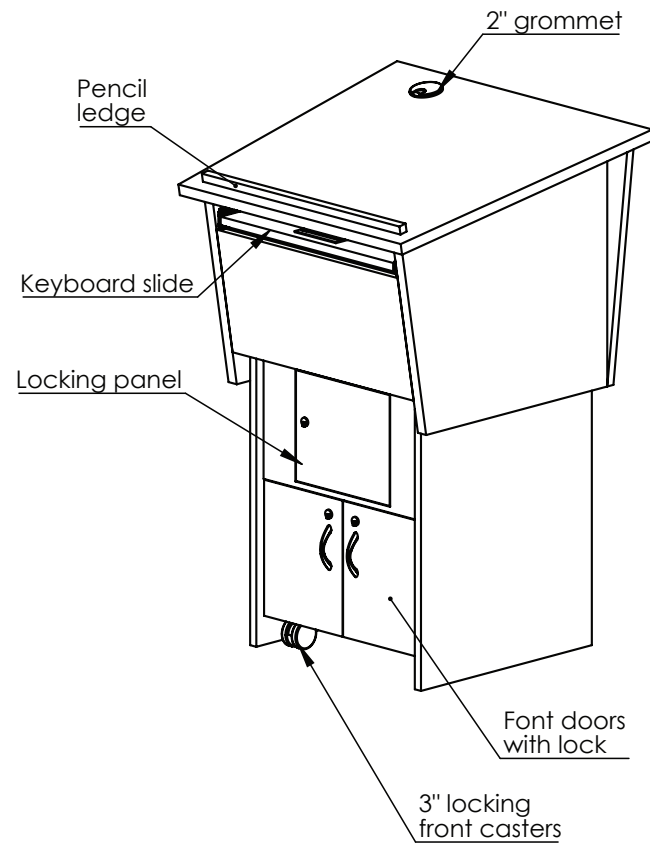
LIST PRICE
\$1,606



PM-350 LIFT HEIGHT ADJUSTABLE PODIUM

The PM-350-LIFT uses a smooth and quiet electric lift to adjust 12" in height. Standard features include angled work surface, small locking compartment and casters.

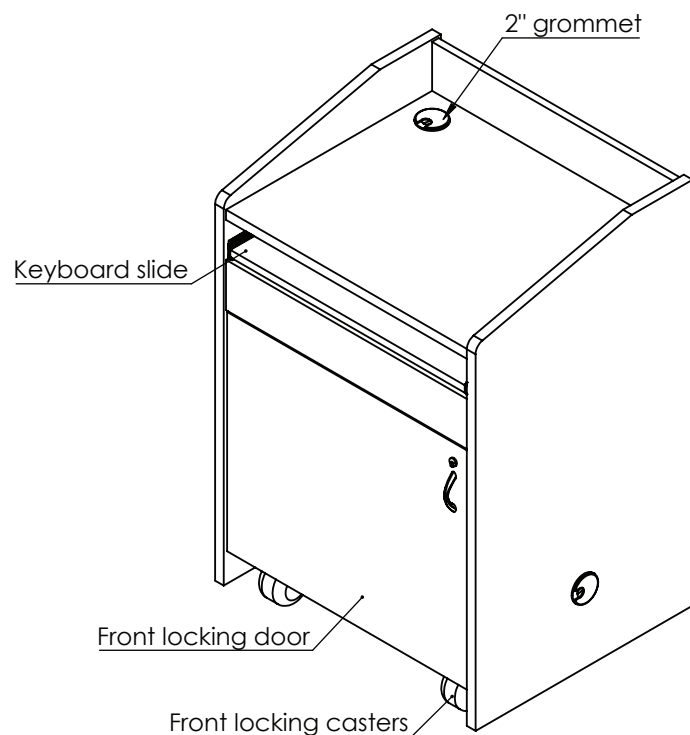
LIST PRICE
\$7,146



PM-400 30" WIDE PODIUM

One of our most popular podiums, available in three sizes, standard features include locking doors, keyboard slide, adjustable shelf and locking casters. The PM-400 has a locking door on the audience side the PM-432 and 436 have a locking removable access panel.

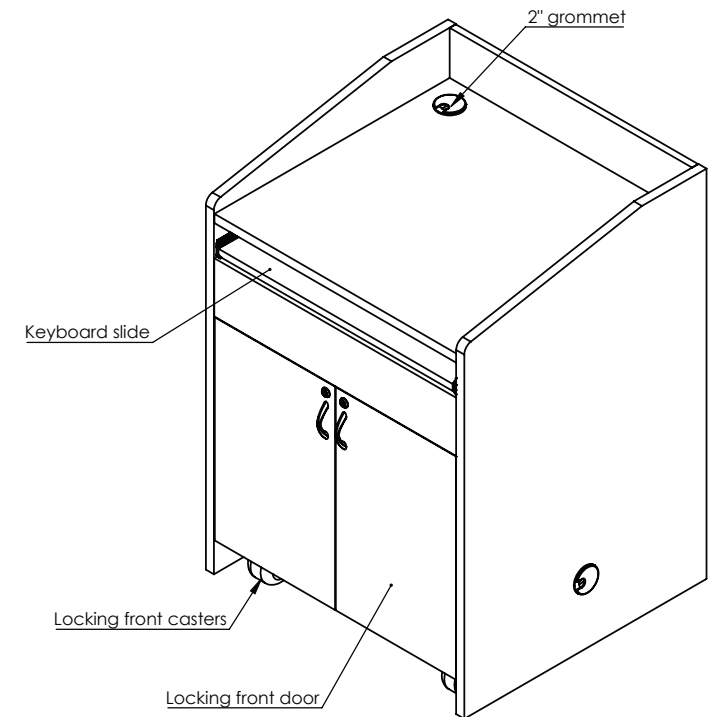
LIST PRICE
\$3,184



PM-432 32" WIDE PODIUM

One of our most popular podiums, available in three sizes, standard features include locking doors, keyboard slide, adjustable shelf and locking casters. The PM-400 has a locking door on the audience side the PM-432 and 436 have a locking removable access panel.

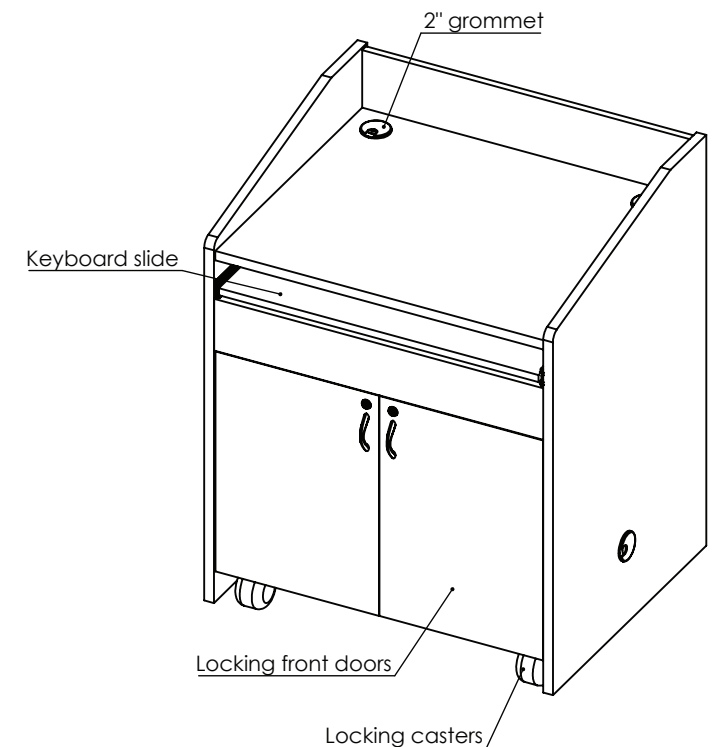
LIST PRICE
\$3,809



PM-436 36" WIDE PODIUM

One of our most popular podiums, available in three sizes, standard features include locking doors, keyboard slide, adjustable shelf and locking casters. The PM-400 has a locking door on the audience side the PM-432 and 436 have a locking removable access panel.

LIST PRICE
\$4,285



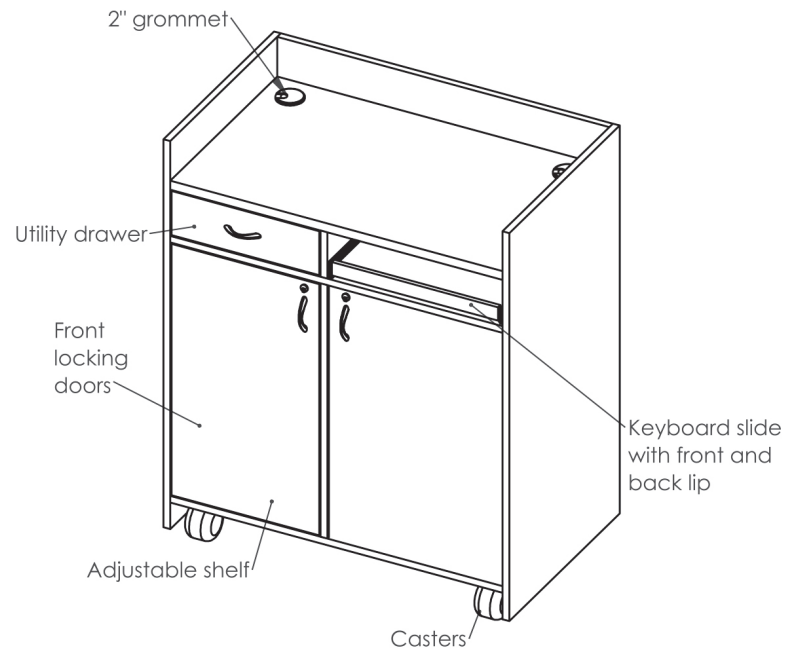
ED-LEC3834

38" WIDE LECTERN

Standard features include sloped top, keyboard slide and locking doors and removable rear access panel.

LIST PRICE

\$4,019



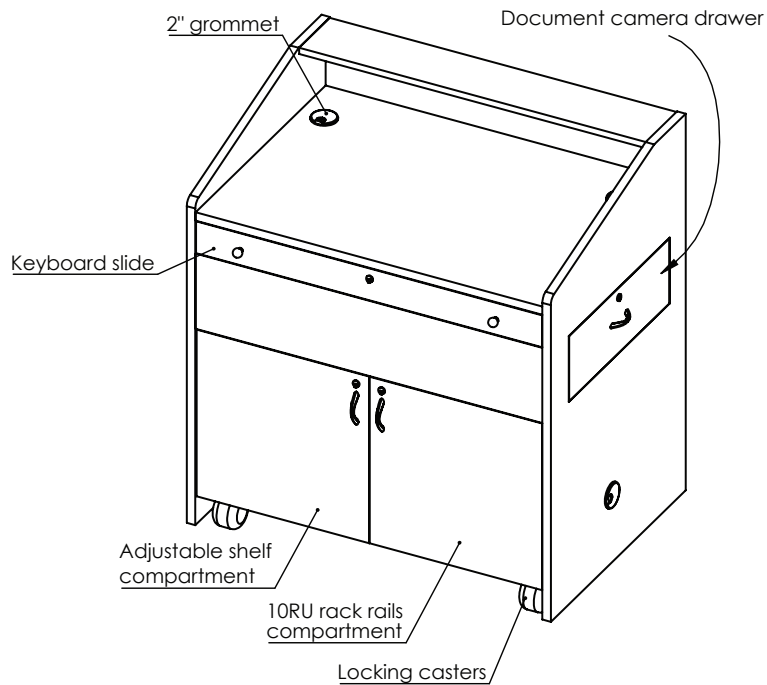
PM-500

LARGE 43" WIDE PODIUM

Standard features include a locking document camera drawer on the side, a locking keyboard slide, 10 RU rack rails, locking doors front and back, adjustable shelf, heavy duty locking casters and cable management.

LIST PRICE

\$5,508



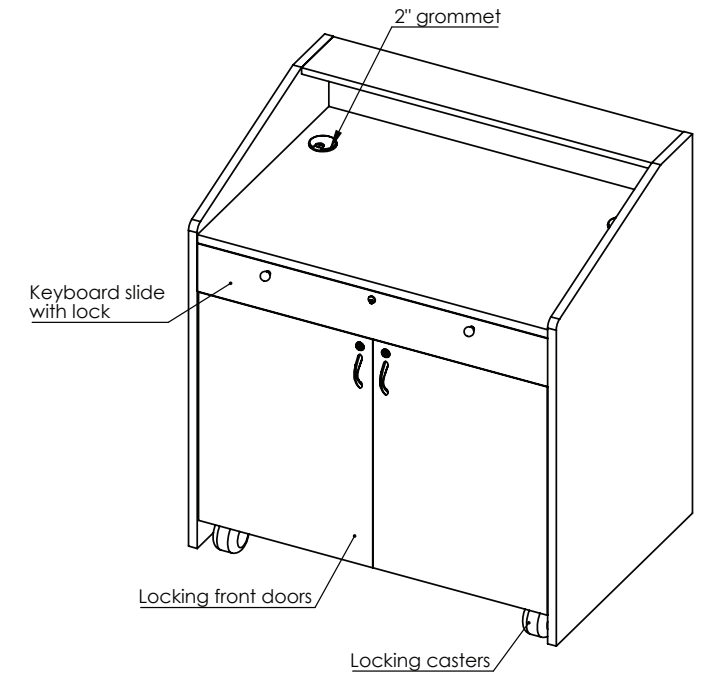
PM-550

43" WIDE PODIUM WITHOUT SIDE DRAWER

The PM-550 is very similar to the PM-500 except it does not include a document camera drawer, rack rails or audience side doors.

LIST PRICE

\$4,881



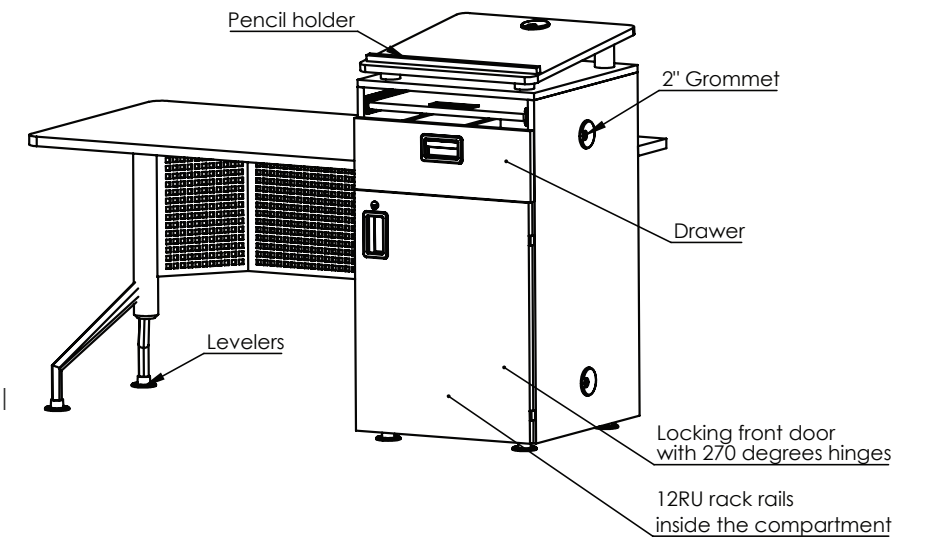
PMT-100

PODIUM WITH SIDE TABLE

This stylish combination of podium and desk offers a number of great features including ADA compliance, angled top, 12RU rack rails, removable access panel, small drawer and keyboard slide.

LIST PRICE

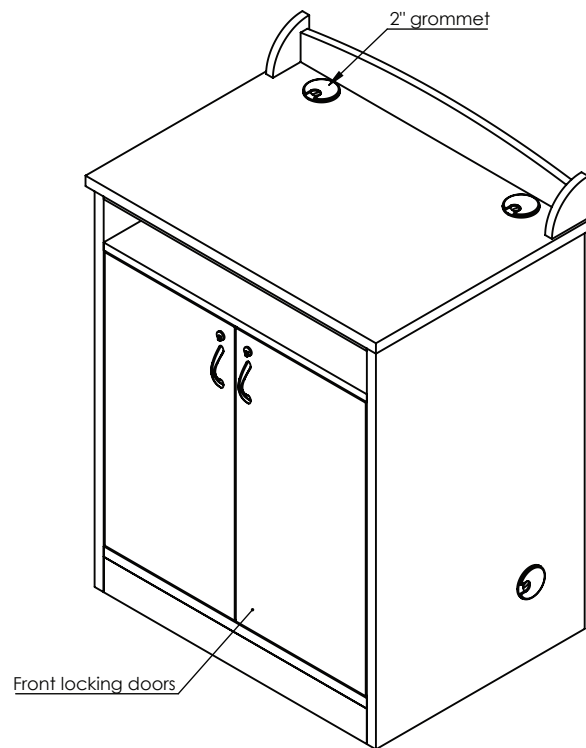
\$4,555



IC-1000 INSTRUCTORS PODIUM

The IC-1000 is a mobile instructors podium that includes privacy screen, locking front doors, 4" casters and a locking removable access panel for access to equipment.

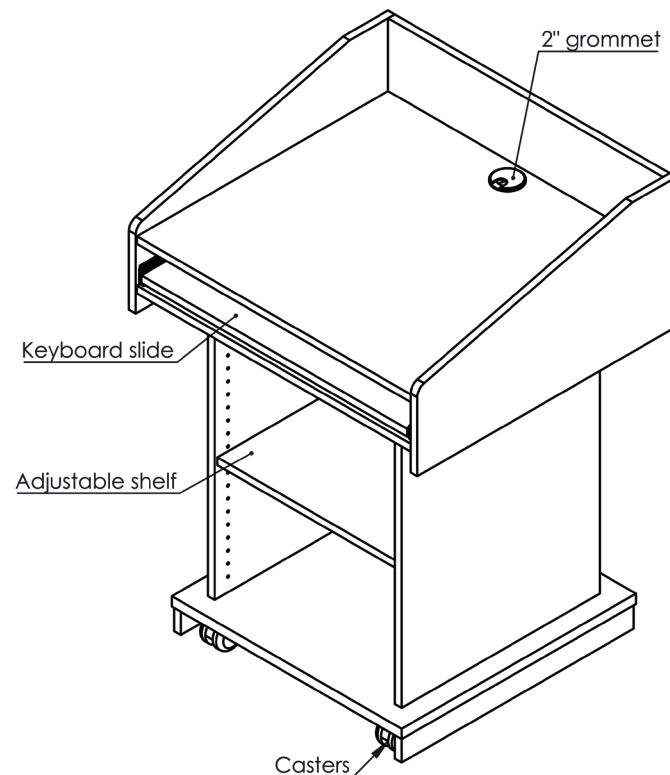
LIST PRICE
\$2,648



PM-900 PRESIDENTIAL STYLE PODIUM

The PM-900 Presidential style of podium comes with a large work surface a keyboard slide, casters and several finish options.

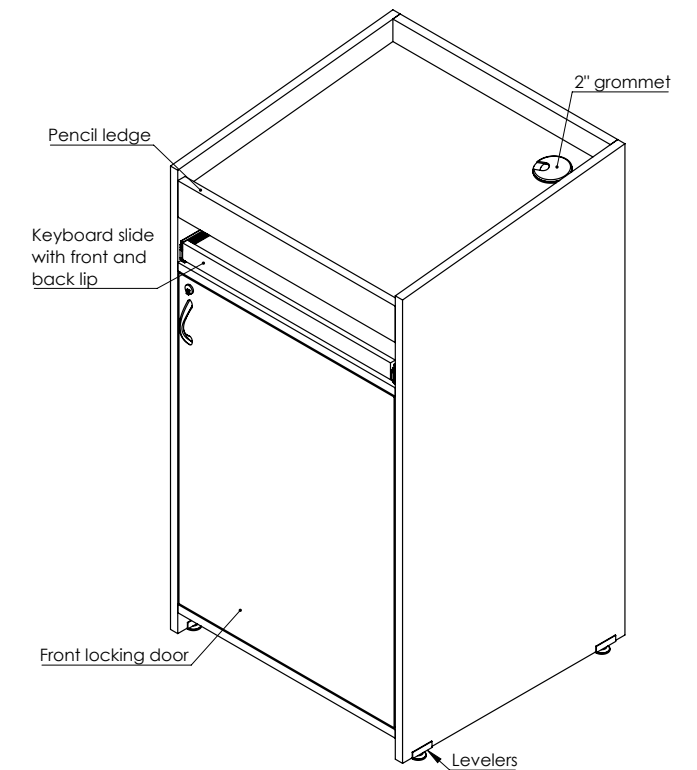
LIST PRICE
\$2,589



ED-LEC2423 COMPACT LECTERN 24" WIDE

Standard features include keyboard, locking front door, removable back panel and levelers.

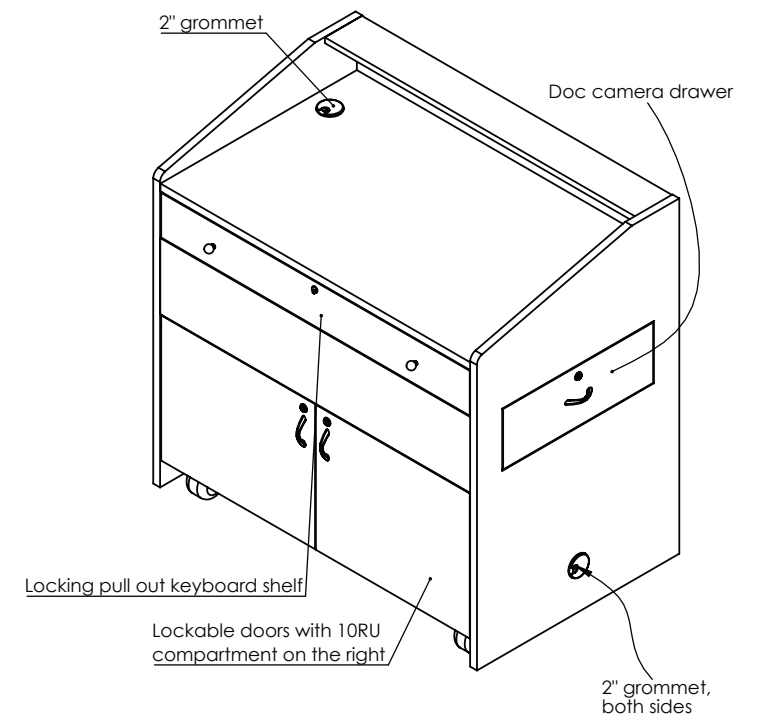
LIST PRICE
\$2,379



PM-4800 48" WIDE PODIUM

The PM-4800 is similar to our PM-500 but 5 inches wider. Standard features include locking pull out document camera drawer, keyboard drawer, 10 RU rack rails, locking doors on front and back, adjustable shelf, casters and cable management.

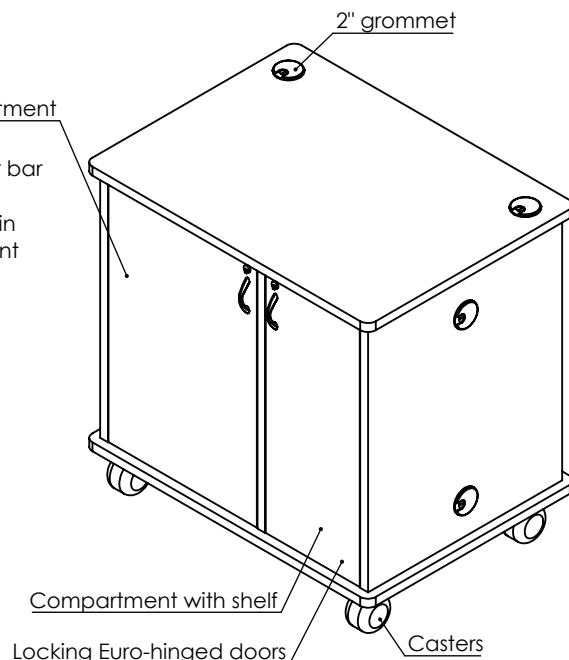
LIST PRICE
\$6,639



MM-200 INSTRUCTORS LECTERN

Standard features include 16RU rack rails, quiet fan, removable back for easy access to equipment, 8 outlet surge protected 15 Amp power bar, grommets top bottom and sides, locking doors and locking casters.

Racking compartment
-8 outlet surge protected power bar
-PA amplifier
-Adjustable shelf in rack compartment

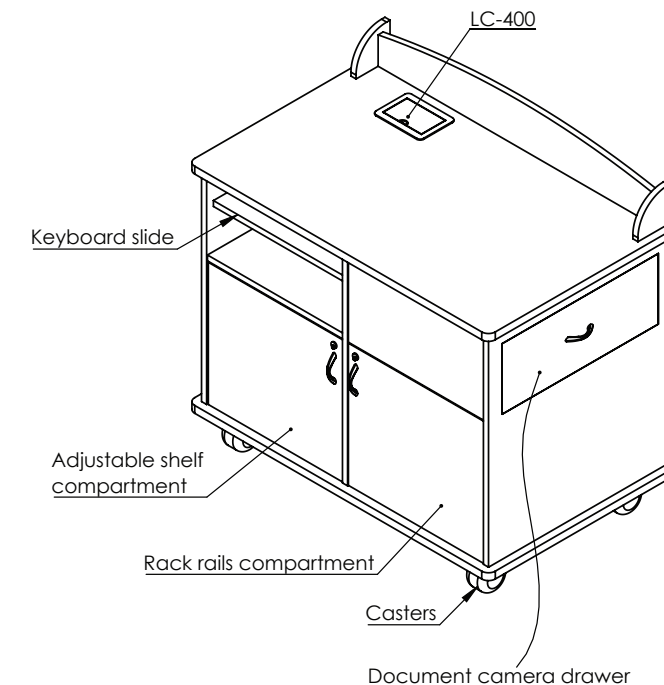


LIST PRICE

\$3,362

MM-1200 THE ARISTOTLE

The Aristotle is a very versatile instructors station for lecture halls, training rooms and classrooms. It features our LC-400 laptop connections with VGA, HDMI, audio, RCA, USB, Cat 6 cables and A/C. A document camera drawer, keyboard slide, 10RU rack rails, adjustable shelf, removable back and locking doors.

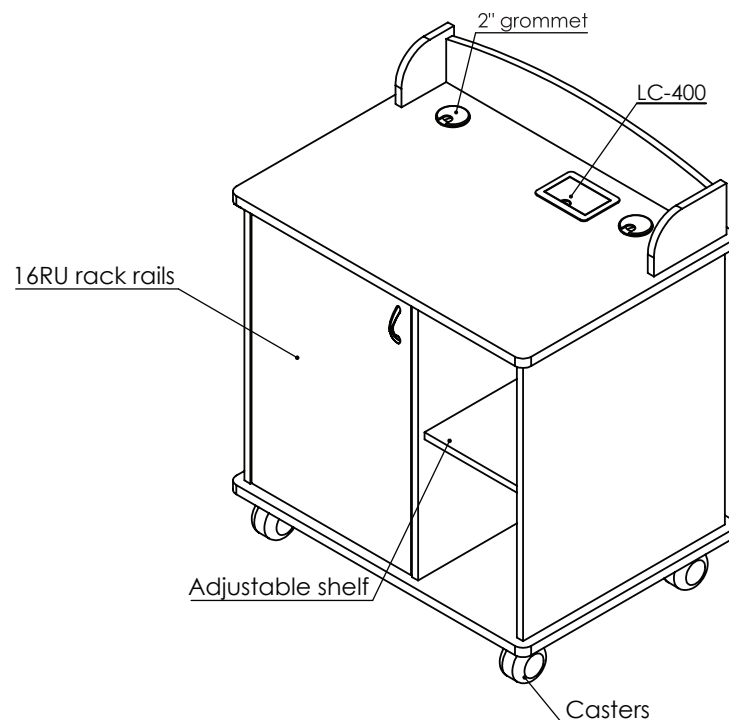


LIST PRICE

\$5,357

MM-250 MULTIMEDIA PODIUM

This unit includes a privacy screen, LC-400 laptop connection well with cables and AC outlet, 8 outlet power bar, 4\"/>

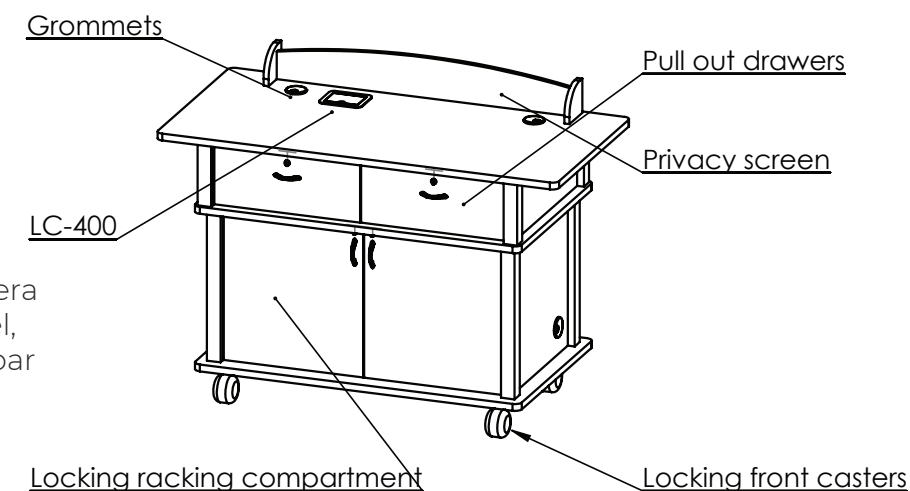


LIST PRICE

\$3,661

MM-2500 INSTRUCTOR STATION

This stylish podium has a very large (59\") work surface and includes our LC-400 laptop connections. Other standard features are a locking doc camera drawer, a removable back panel, 12RU rack rails, 8 outlet power bar and an adjustable shelf.



LIST PRICE

\$6,998

HEIGHT ADJUSTABLE TABLES

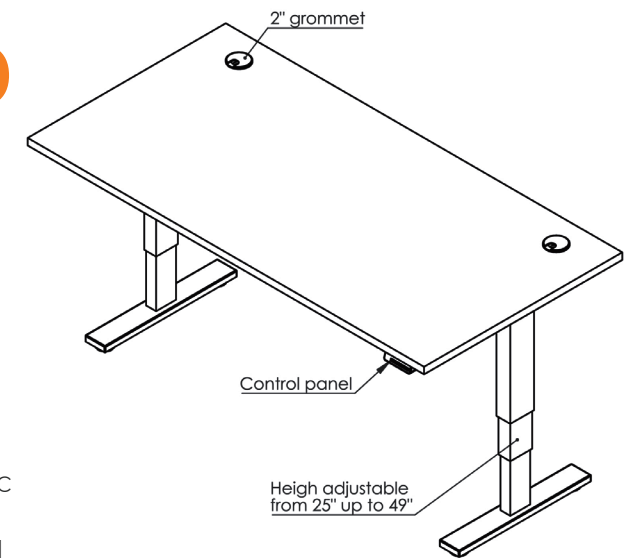


LT-3048 48" WIDE

LIST PRICE
\$2,201

LT-3060 60" WIDE

LIST PRICE
\$2,201



LT-3072 72" WIDE

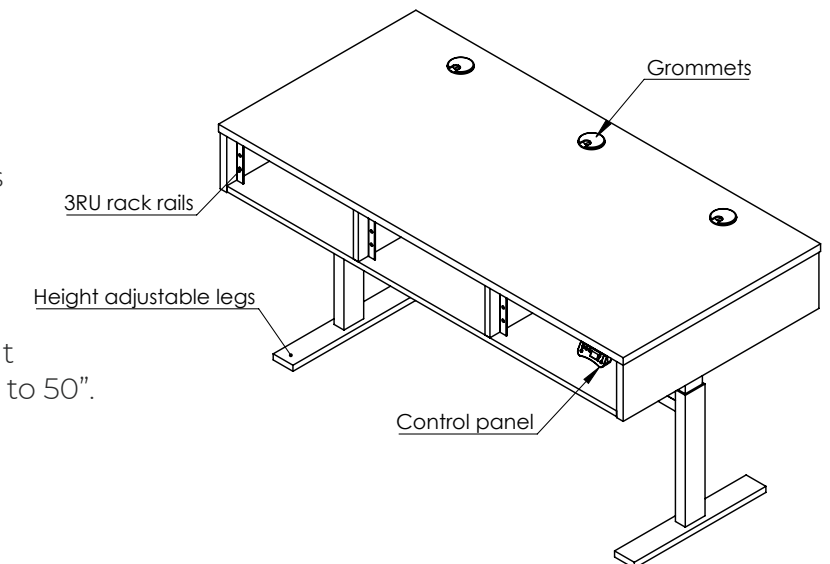
LIST PRICE
\$2,290

Exact Furniture electric sit/stand tables are normally 30" deep and range from 36" wide to 72" wide and can be customized to sizes in between. The top adjust from 25" to 50" in height, and can be stopped anywhere in between. The control box has four presets that can be set by the customer at convenient intervals. Capable of lifting 330 lbs. Modesty panel or privacy screen are optional. **ADA compliant**

DS-700 HEIGHT ADJUSTABLE INSTRUCTORS DESK

The height adjustable Instructors Desk is ADA compliant, comes with a large 61" wide work surface and three 3RU rack compartments. This product comes with an electric motor that adjusts the work surface from 31" to 50". Modesty panel optional.

LIST PRICE
\$4,466

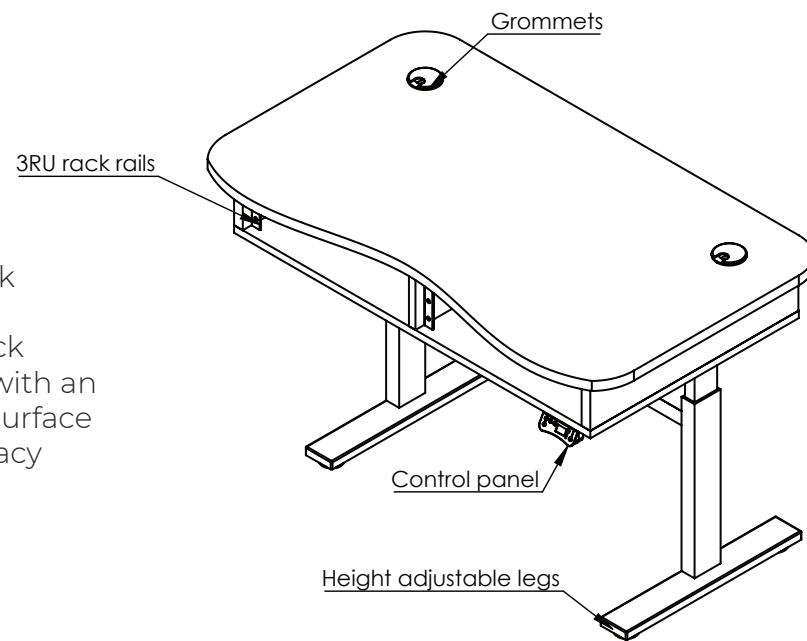


*Drawings may show custom options

DS-710 CURVED TOP HEIGHT ADJUSTABLE DESK

The height adjustable Instructors Desk is ADA compliant, comes with a large 54" wide work surface and two 3RU rack compartments. This product comes with an electric motor that adjusts the work surface from 31" to 50". Modesty panel or privacy screen optional.

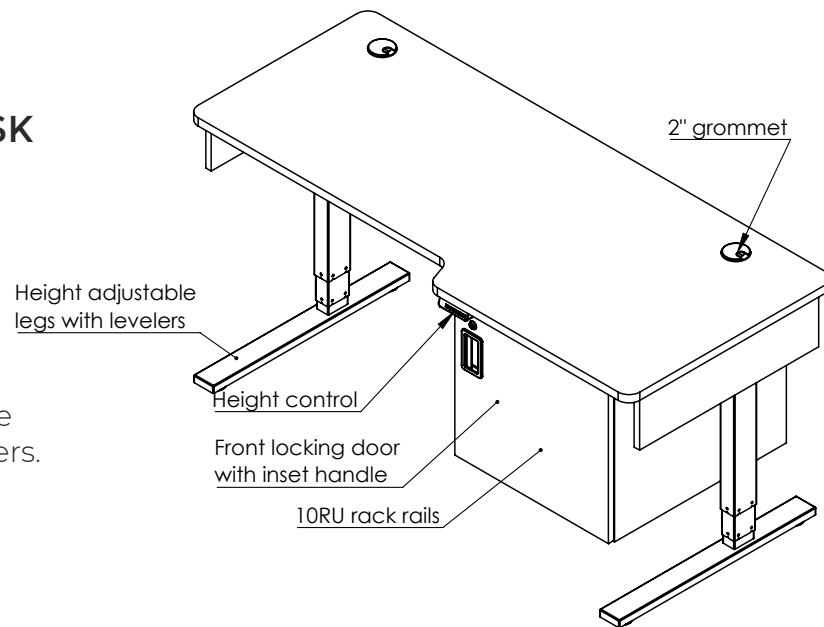
LIST PRICE
\$4,315



DS-740 HEIGHT ADJUSTABLE DESK

This Height adjustable table with compartment is ADA compliant, comes with a large 62" wide work surface and a 12RU rack compartment. The work surface adjusts from 25" to 45" using an electric lift, four stop points can be set. Available with casters or levelers.

LIST PRICE
\$4,614

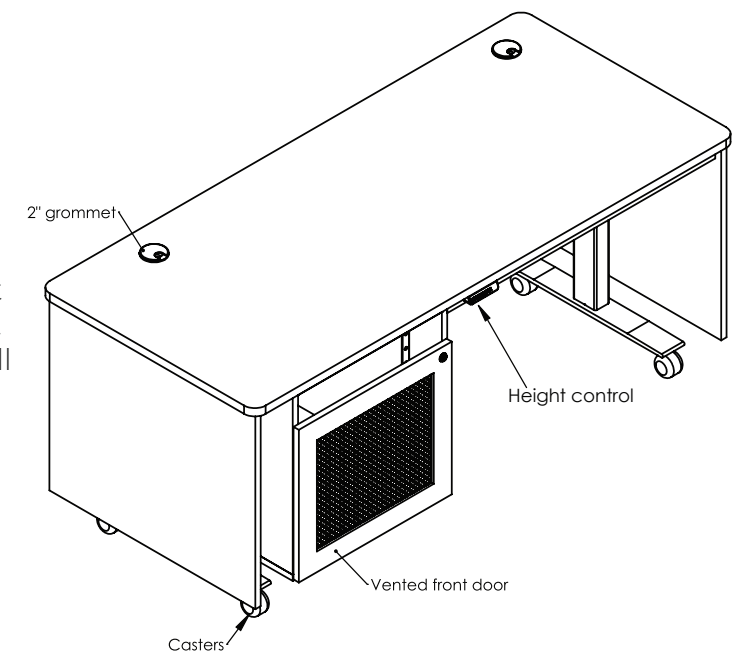


*Drawings may show custom options

DS-740C HEIGHT ADJUSTABLE DESK

A new customized take on the DS-740 desk, this height adjustable table comes with casters, large grill on front locking door, thermo fan, private front and side laminate finish panels, and all the benefits of the DS-740.

LIST PRICE
\$6,288

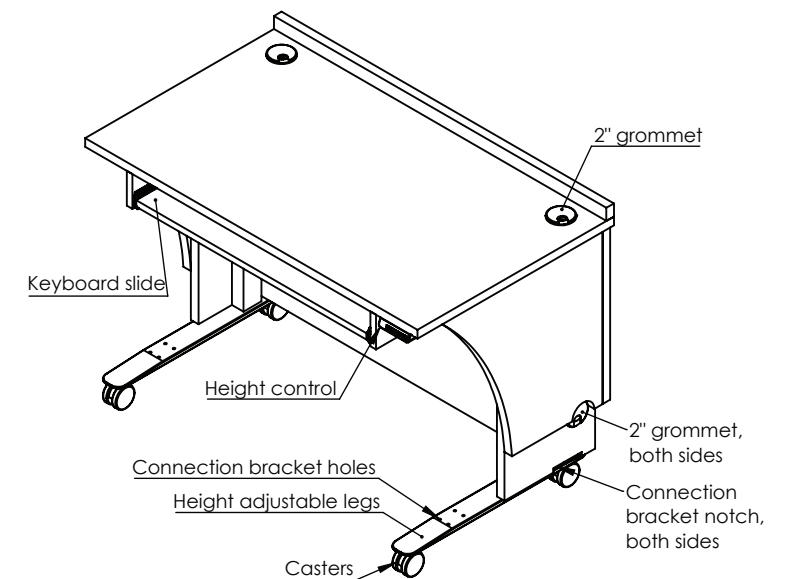


DS-900 HEIGHT ADJUSTABLE PODIUM

Height adjustable podium, includes keyboard slide, privacy screen and removable access panel. The work surface adjusts from 25" to 45" using an electric lift, four stop points can be set. Available with casters or levelers.

ADA compliant

LIST PRICE
\$4,762

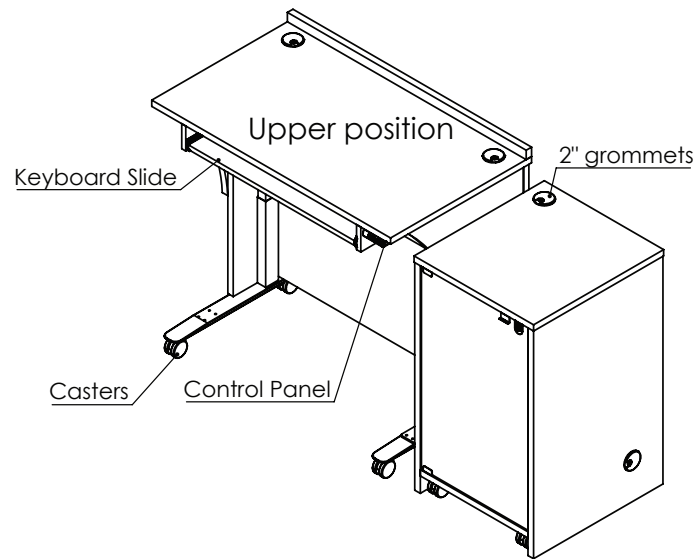


*Drawings may show custom options

DS-900-Rack

HEIGHT ADJUSTABLE PODIUM WITH 18RU RACK COMPARTMENT

Height adjustable podium, includes keyboard slide, privacy screen and removable access panel. The work surface adjusts from 25" to 45" using an electric lift, four stop points can be set. Includes 18RU Rack compartment for equipment, with plexiglass door and removable back panel, (not height adjustable). Available with casters or levelers. **ADA compliant**

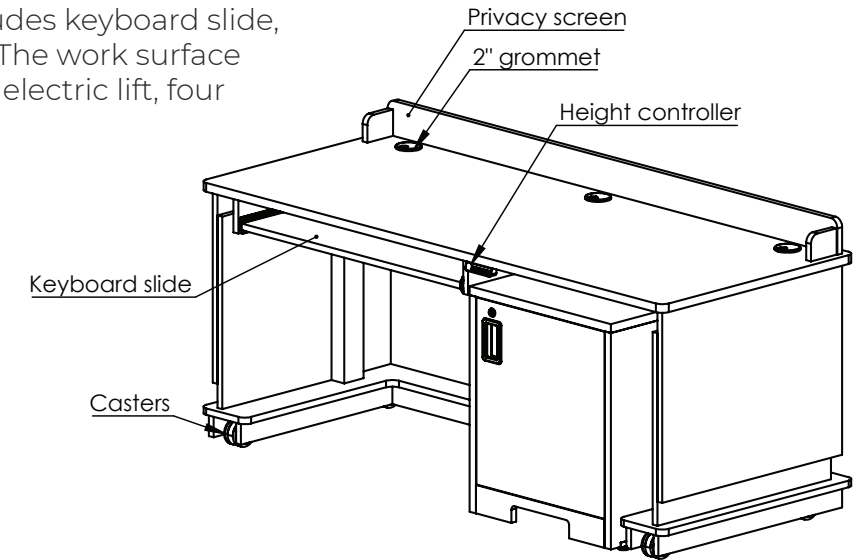


LIST PRICE
\$5,955

DS-950-Rack

HEIGHT ADJUSTABLE PODIUM WITH 10RU RACK COMPARTMENT

Height adjustable podium, includes keyboard slide, modesty panels privacy screen. The work surface adjusts from 25" to 45" using an electric lift, four stop points can be set. Casters are standard. 10RU rack compartment with wood door, quiet fan, removable back panel and casters included. **ADA compliant**

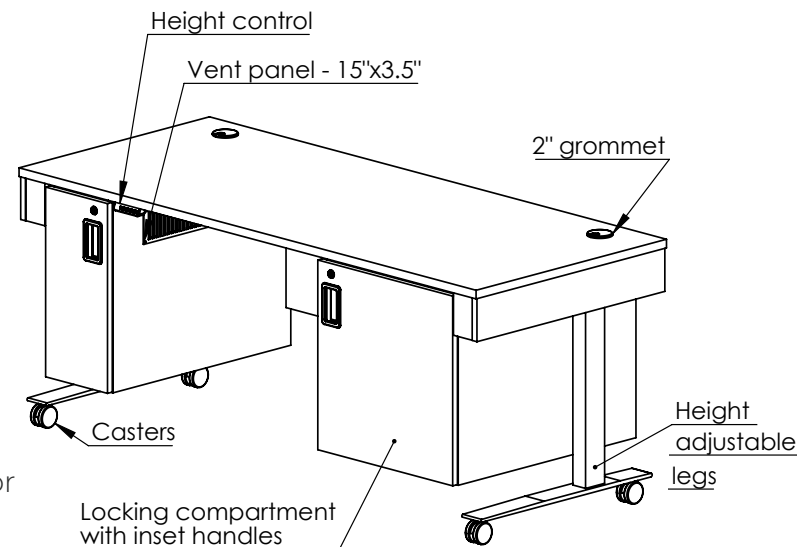


LIST PRICE
\$6,103

DS-800

HEIGHT ADJUSTABLE INSTRUCTORS STATION

Height adjustable Instructors Station, includes CPU compartment and racking compartment for equipment. Locking doors, inset handles and removable rear access panel to rack compartment standard. The work surface adjusts from 25" to 45" using an electric lift, four stop points can be set. Available with casters or levelers. **ADA compliant**

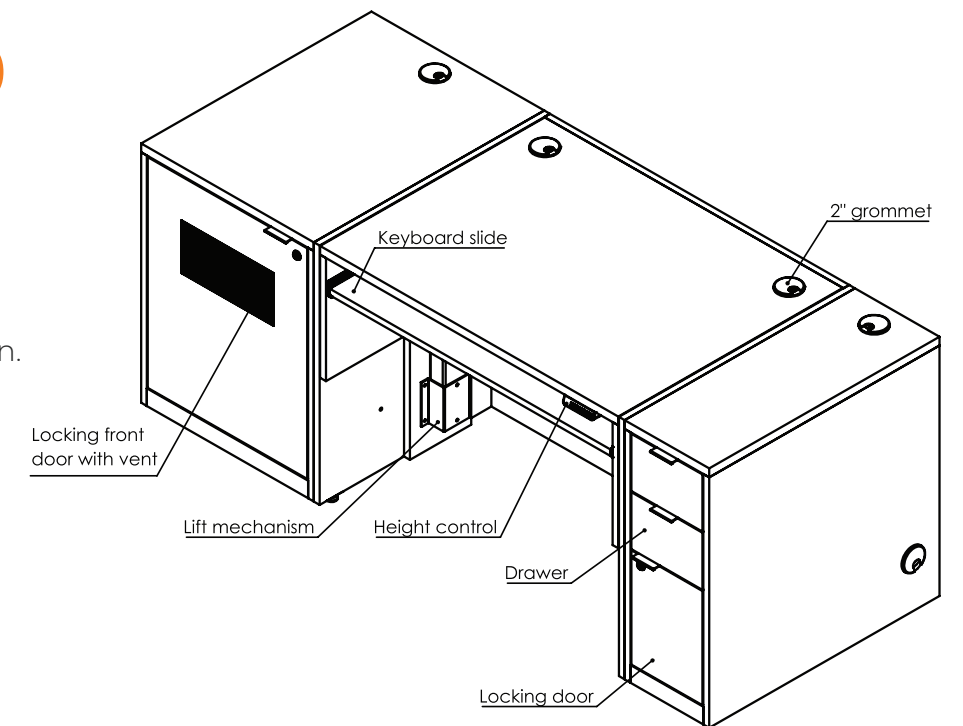


LIST PRICE
\$5,656

DS-3040

AVA DESK COMBO

An AV desk combo that offers the flexibility of having a height adjustable desk, 15RU AV rack and a storage section.



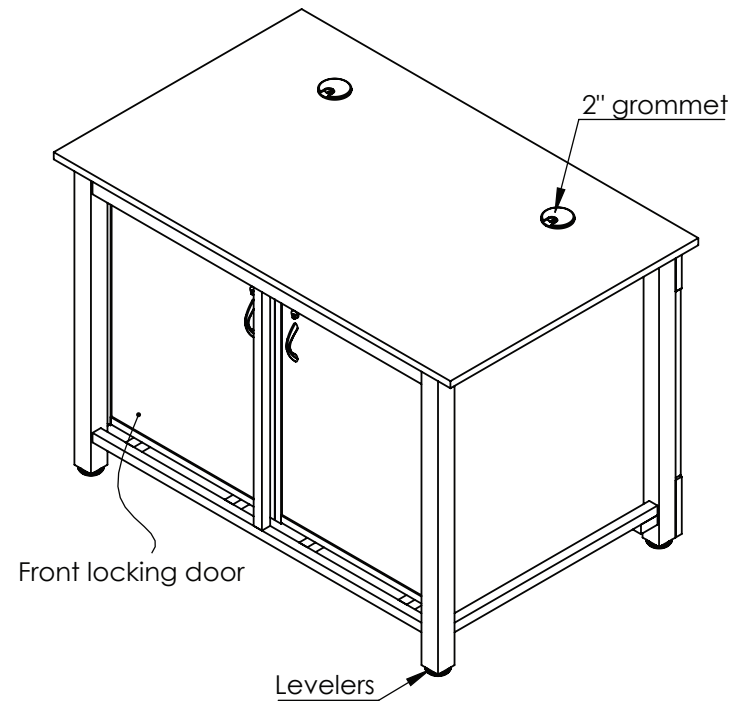
LIST PRICE
\$9,655

ED-MPD3048

ELECTRIC HEIGHT ADJUSTABLE UNIT

Fully welded powder coated steel frame. These desks are electrically height adjustable from 30" to 42". Standard features include two compartments, one locking door and locking rear access panel. Slide out top and rack rails are optional.

LIST PRICE
\$7,133

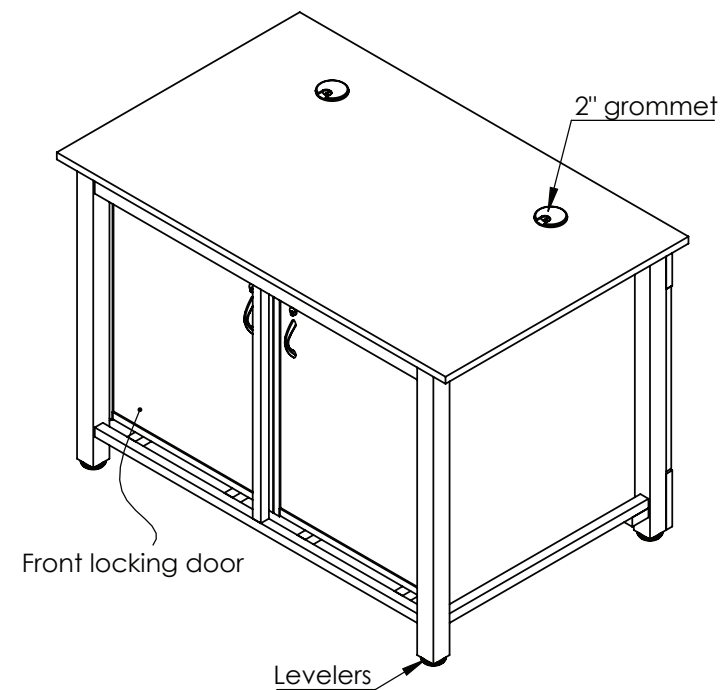


ED-MPD3060

ELECTRIC HEIGHT ADJUSTABLE UNIT

Fully welded powder coated steel frame. These desks are electrically height adjustable from 30" to 42". Standard features include two compartments, one locking door and locking rear access panel. Slide out top and rack rails are optional.

LIST PRICE
\$7,432

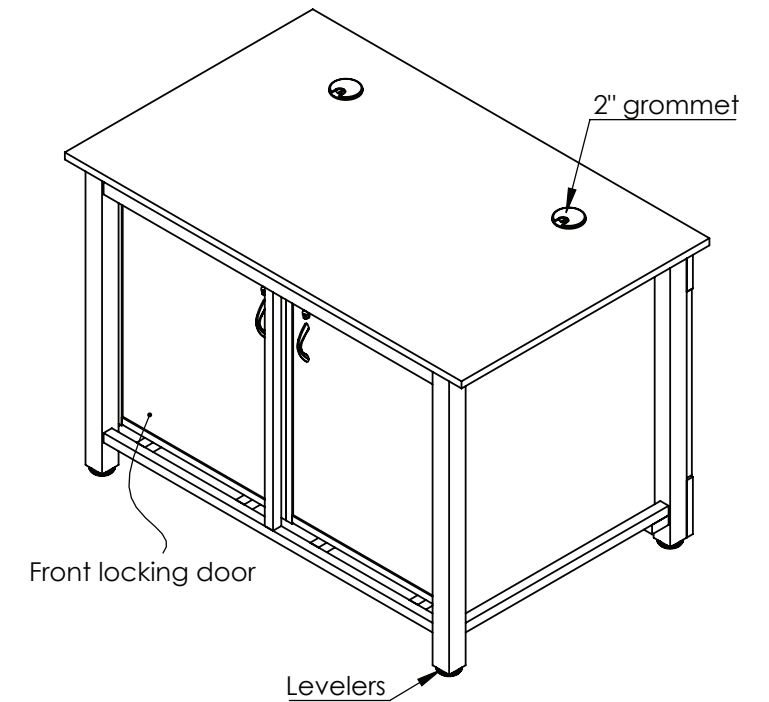


ED-MPD3072

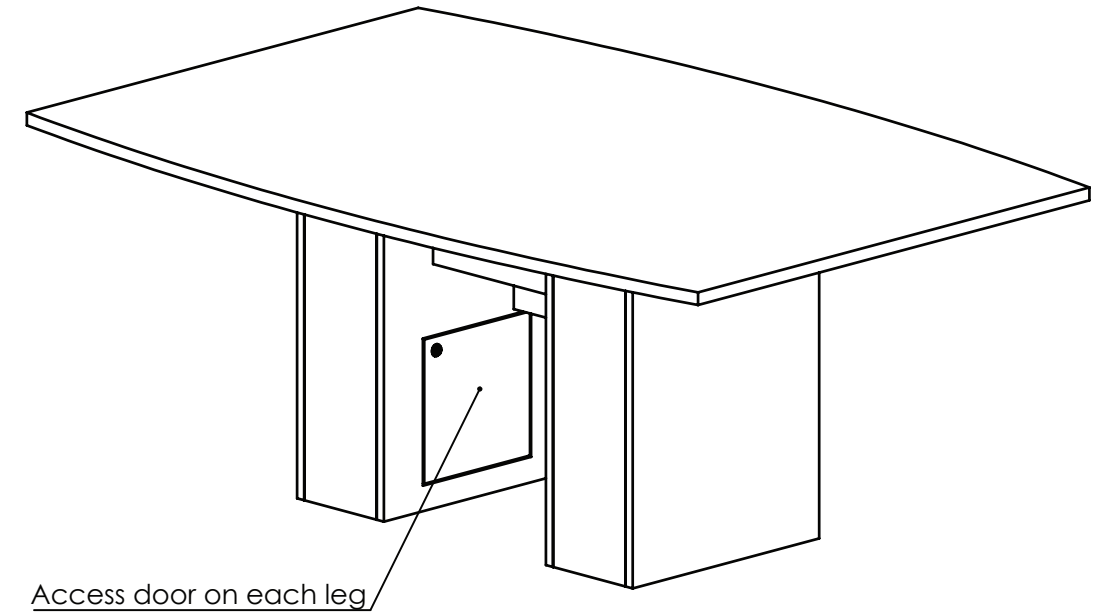
ELECTRIC HEIGHT ADJUSTABLE UNIT

Fully welded powder coated steel frame. These desks are electrically height adjustable from 30" to 42". Standard features include two compartments, one locking door and locking rear access panel. Slide out top and rack rails are optional.

LIST PRICE
\$7,729



CONFERENCE & BOARDROOM TABLES



Access door on each leg

CT-400

6' LONG BY 4' WIDE
WITH SLAB LEGS

LIST PRICE

\$3,362

8' LONG BY 4' WIDE
WITH SLAB LEGS

LIST PRICE

\$3,868

10' LONG BY 4' W,
TOP IN TWO SECTIONS,
3 SLAB LEGS

LIST PRICE

\$4,614

12' LONG BY 4' W,
TOP IN TWO SECTIONS,
3 SLAB LEGS

LIST PRICE

\$5,061

20' LONG BY 4' W,
TOP IN TWO SECTIONS,
4 SLAB LEGS

LIST PRICE

\$7,146

All of our conference and boardroom tables come in a variety of sizes, shapes, and finishes, for sizes not shown above please call for a quote. For tables longer than 8 feet or wider than 5' the top is made in two or more sections. Standard edges are PVC edgebanding or high pressure laminate. Please contact us for pricing and design options, we are glad to offer design help and AutoCAD or Solid works drawings and renderings can be provided so you can see what your table will look like.

**Drawings may show custom options*

CT-720

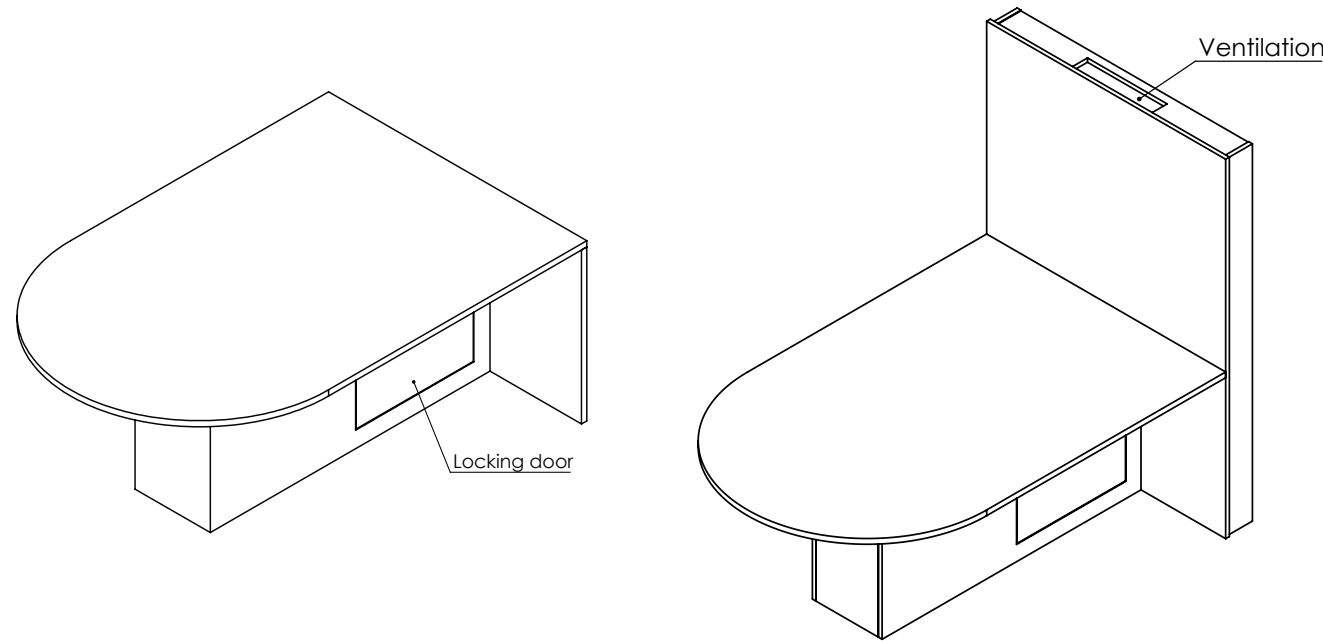
6' TOP WITH NO WALL

LIST PRICE
\$4,019

8' TOP WITH NO WALL

LIST PRICE
\$4,614

Work surface 1" thick made with high pressure laminate, includes a lower island compartment with two locking doors. Available in a wide range of shapes and sizes. Wall mount is optional.



OPTIONS FOR CT-720

DW

Double Wall with channel between walls to hide cables, room for 2RU rack rails mounted vertically, two locking rear access panels. Includes low profile TV mount that holds most 37" - 85" screens.

LIST PRICE
\$1,489

FM

Flush Mount version has the TV screen recessed inside the wall so the screen is even with the outside surface, improves security, requires double wall option, includes two locking rear access panels.

LIST PRICE
\$894

BH

Bar Height comes with the work surface at 40" which allows for a less formal meeting atmosphere using stools or standing. Wall mount included.

LIST PRICE
\$894

*Drawings may show custom options

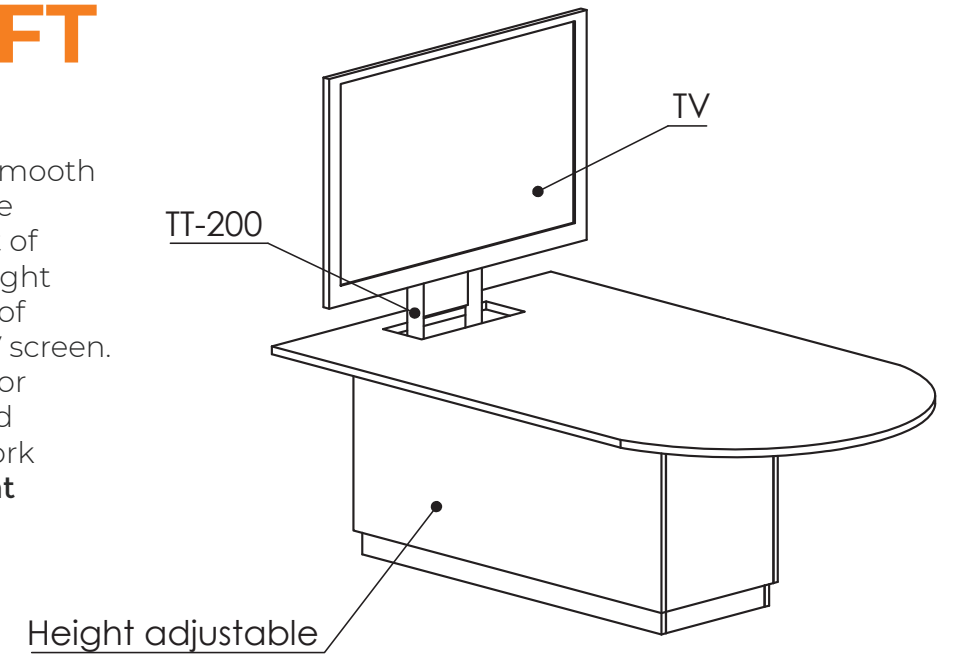
CT-720-LIFT

HUDDLE LIFT TABLE

The Huddle Lift table has a smooth quiet electric motor to lift the table from the sitting height of 29" up to 41" for standing height while retaining the benefits of collaborating with a large TV screen. The standing height allows for less formal get togethers and also promotes a healthier work environment. **ADA compliant**

*Monitors not included

LIST PRICE
\$7,593



CT-600

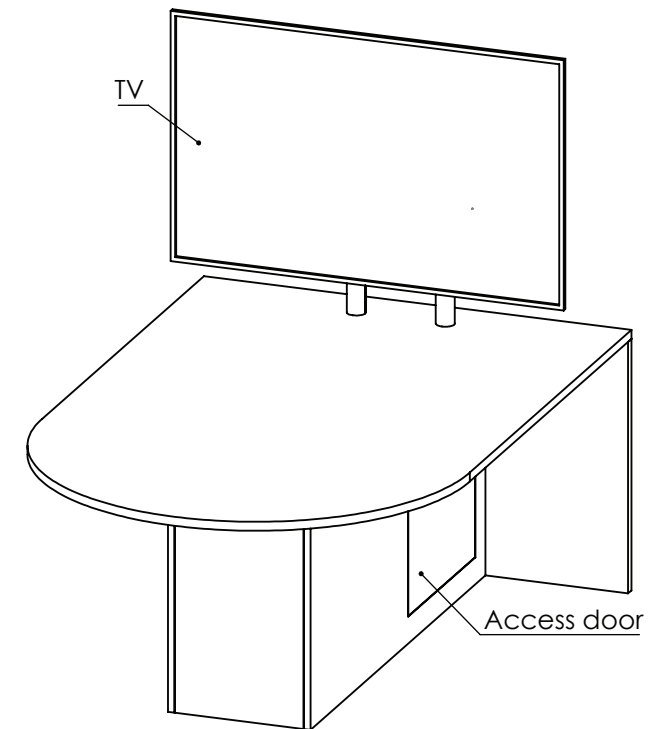
6' Version

DISPLAY TABLE WITH MOUNT

The CT-600 Display table comes with our DP-200 mount built in. The mount holds up to an 85" TV and a dual option is available that holds up to two 65" TV's. This table is available in a wide range of sizes and shapes, please call for pricing. Options include different bases, a cable cubby and cut outs.

*Monitors not included

LIST PRICE
\$4,750



*Drawings may show custom options

CT-730

HUDDLE TABLE,
NO LOWER
COMPARTMENT

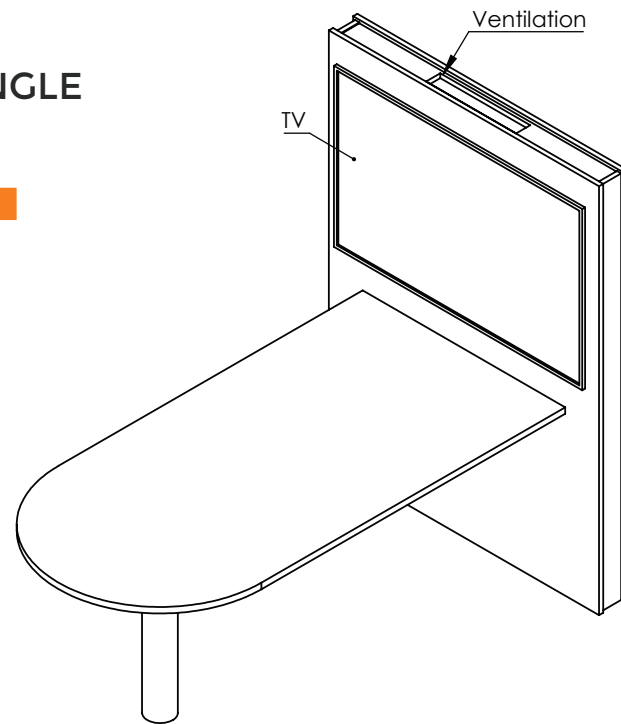
LIST PRICE
\$3,720

Great value proposition for small groups to collaborate and share information. The CT-730 is available in a wide range of sizes and shapes, features include high pressure laminate work surface and low profile TV mount that holds most 37-85" screens. The double wall version has a locking access panel to wall compartment. Options include a cable cubby, additional cutouts and cable channel.

**Monitors not included*

TOP WITH SINGLE
PANEL WALL

LIST PRICE
\$4,614



CT-3672

METAL FRAMED
HUDDLE TABLE

Heavy duty metal frame for table and optional TV mount. Cable management trough below table top with side access panel. Standard size is 36" wide by 72" long but other sizes and shapes are available.

LIST PRICE
\$4,750



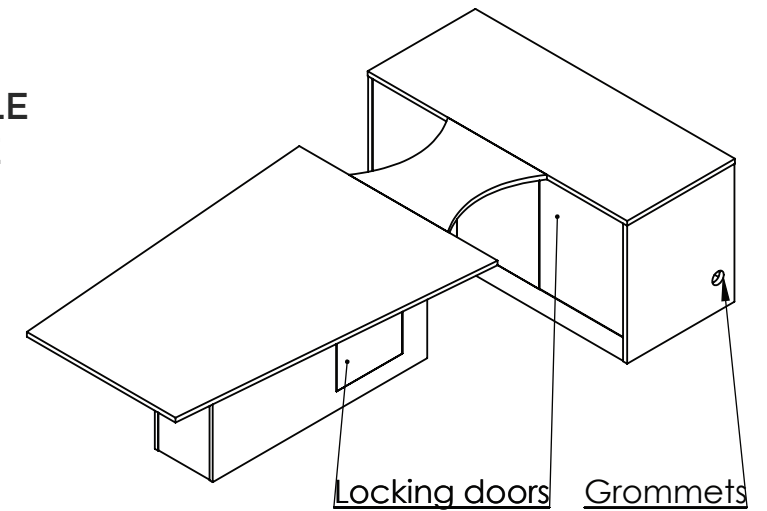
**Drawings may show custom options*

VT-500

6' VIDEOCONFERENCING TABLE
WITH CREDENZA AND BRIDGE

The VT-500 Videoconferencing Table is available in a wide range of shapes, sizes and laminates. The table comes with a credenza and a bridge between the two units but they can be sold separately. Standard features include a 6' table with high pressure laminate top and locking door to compartment below the table.

LIST PRICE
\$8,040



**Drawings may show custom options*

DESKS

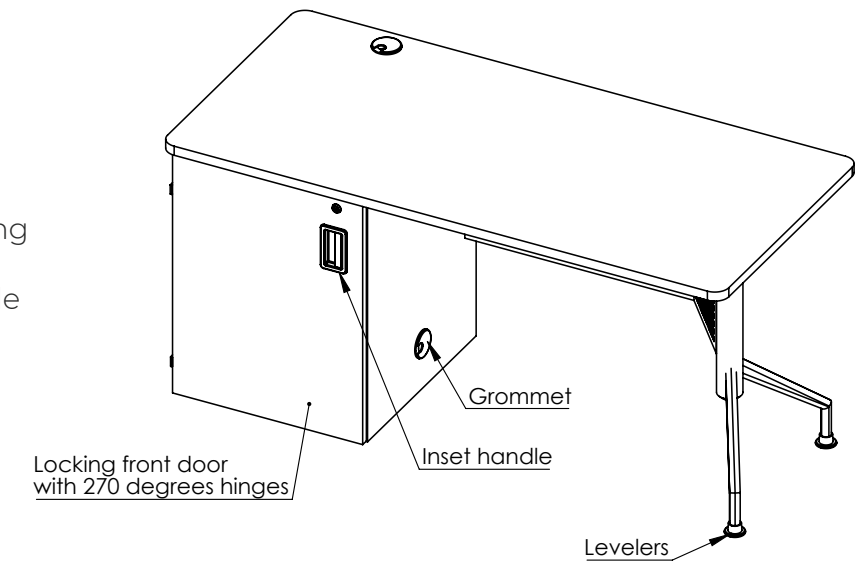


DS-100 DESK WITH RACK COMPARTMENT

This stylish desk offers an ADA compliant work surface, a racking compartment with 12RU rack rails, locking door and removable access panel.

LIST PRICE

\$3,572

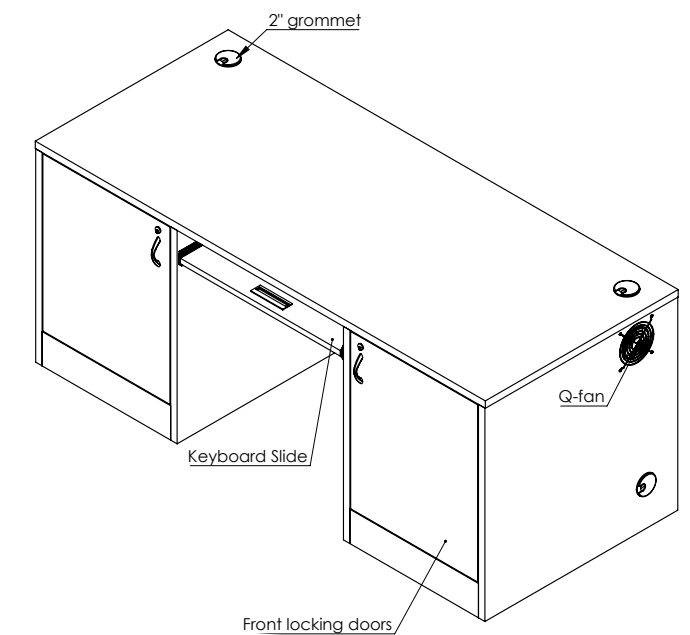


DS-680 DUAL RACK DESK

The dual rack desk is great when you have a lot of equipment to install, it comes with a large worksurface, two 12RU rack bays with rack rails installed. Two Quiet fans, keyboard slide and 3" locking casters are standard.

LIST PRICE

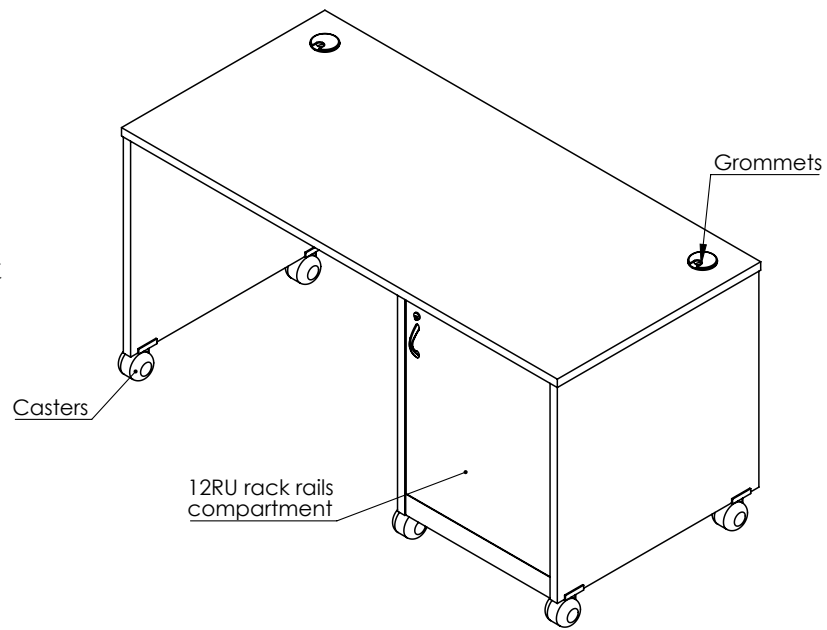
\$3,036



**Drawings may show custom options*

DS-600 RACK DESK

"The Exact Furniture DS-600 is a mobile desk with a rack compartment. Standard features include a 12RU rack compartment with rear access door a 60" laminate top and six casters (not installed). Available in left or right configurations.

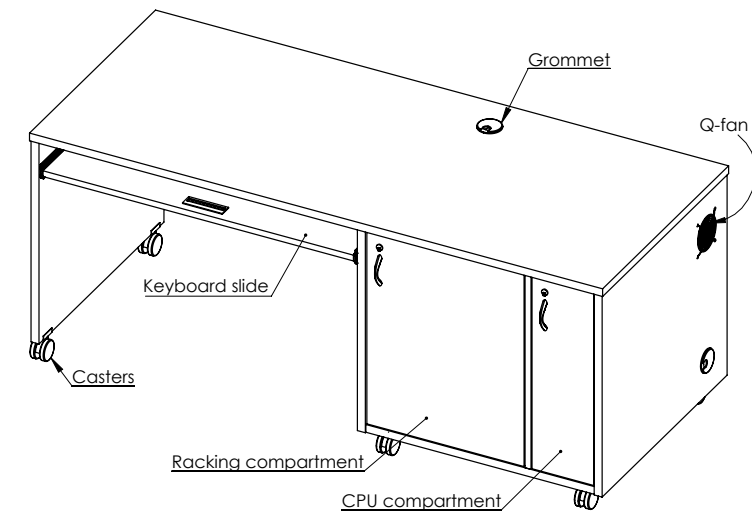


LIST PRICE

\$2,440

DS-720 INSTRUCTORS DESK

The Exact Furniture DS-720 desk is the perfect choice for educational environments. Standard features include a 14RU rack compartment and a CPU compartment with locking doors, power bar, fan, laminate top, keyboard slide and removable access panel. Available in left or right configurations.

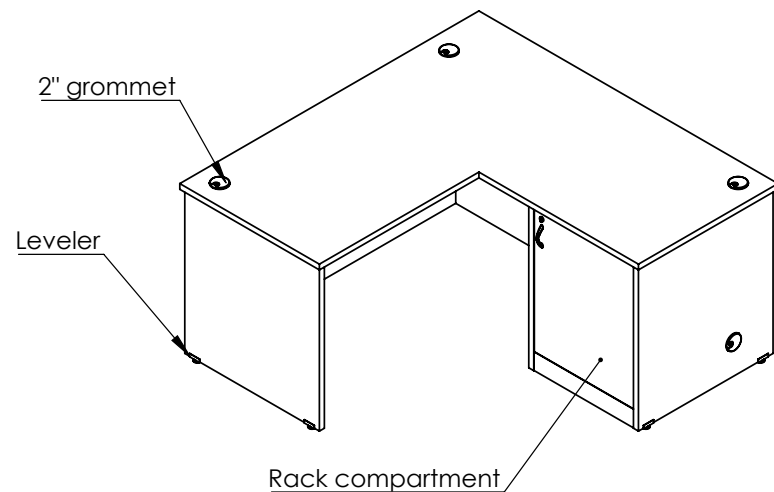


LIST PRICE

\$2,976

DS-600L L SHAPED DESK

This large L shaped desk comes with a 12RU rack compartment, power bar and removable access panel to rack area. Available in left or right configurations



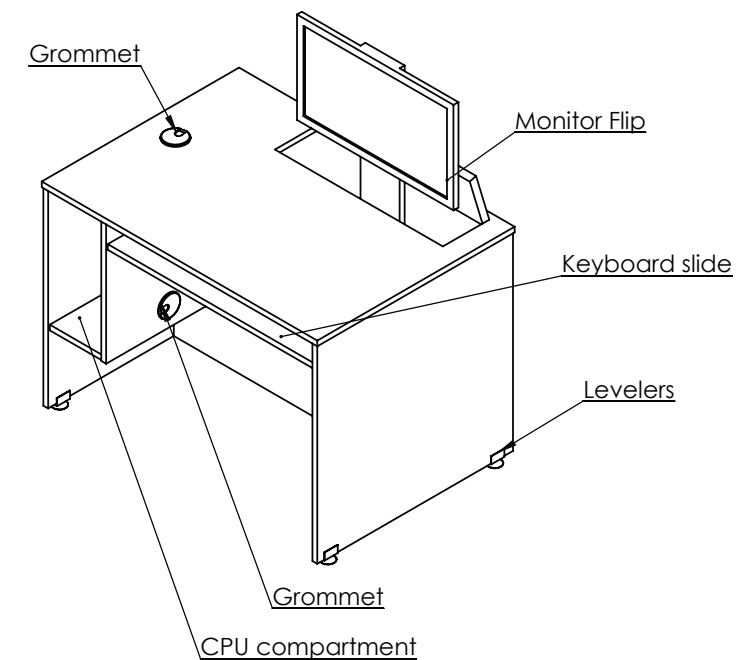
LIST PRICE

\$3,125

DS-4230 DESK 42" WIDE WITH HIDE AWAY MONITOR LIFT

"Standard features include a CPU holder, keyboard slide and a monitor lift with a 17" stroke which will hold most monitors up to 27" size.

**Monitors not included*



LIST PRICE

\$3,423

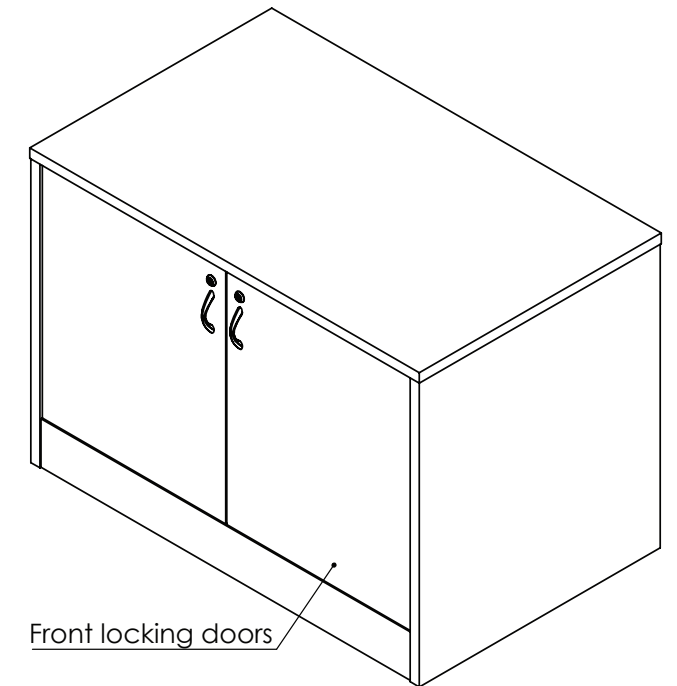
CREDENZAS



CR-212 (TWO PAIR 12RU) 2 BAY CREDENZA

Standard features include front rack rails in each compartment, 20" usable depth two quiet fans, a removable back for easy access to equipment, Euro-hinged locking doors and casters.

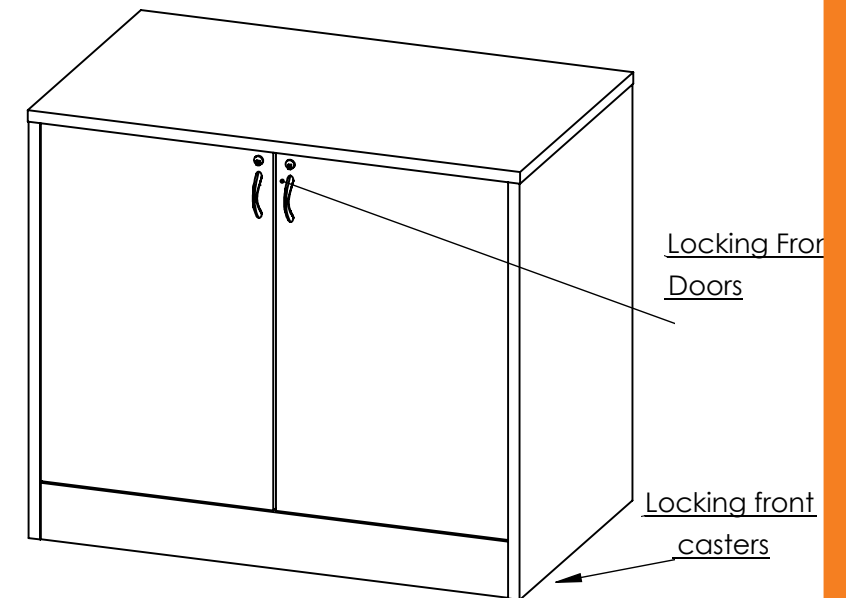
LIST PRICE
\$2,976



CR-216 (TWO PAIR 16RU) 2 BAY CREDENZA

Standard features include front rack rails in each compartment, 20" usable depth two quiet fans, a removable back for easy access to equipment, Euro-hinged locking doors and casters.

LIST PRICE
\$3,453



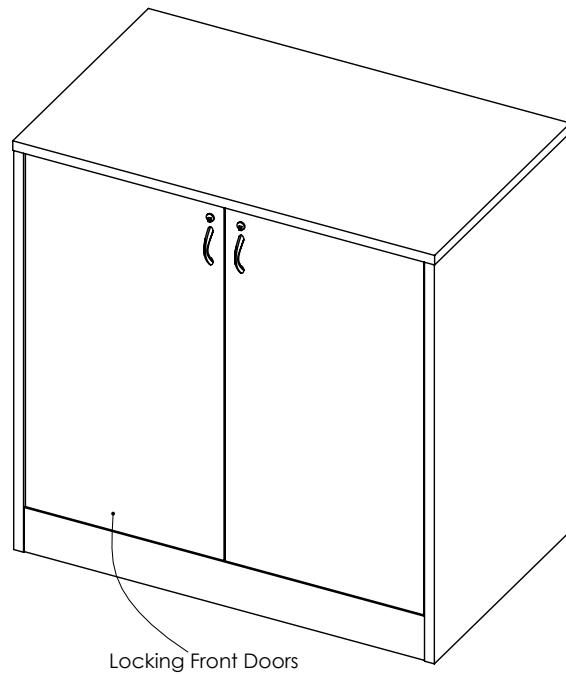
*Drawings may show custom options

CR-220

(TWO PAIR 20RU)
2 BAY CREDENZA

Standard features include front rack rails in each compartment, 20" usable depth two quiet fans, a removable back for easy access to equipment, Euro-hinged locking doors and casters.

LIST PRICE
\$3,930

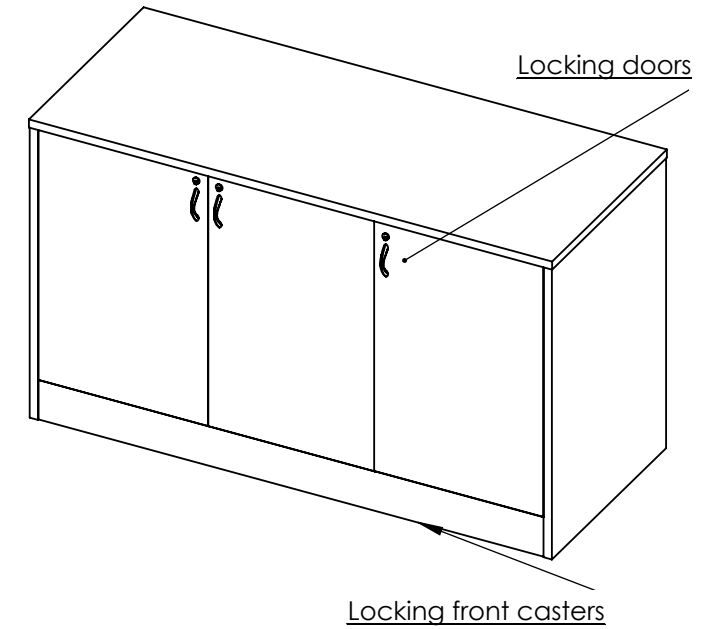


CR-316

(THREE PAIR 16RU RACK RAILS)
3 BAY CREDENZA

Standard features include three 12 or 16RU rack compartments, 20" usable depth, three quiet fans, a removable back for easy access to equipment, Euro-hinged locking doors and casters.

LIST PRICE
\$4,733

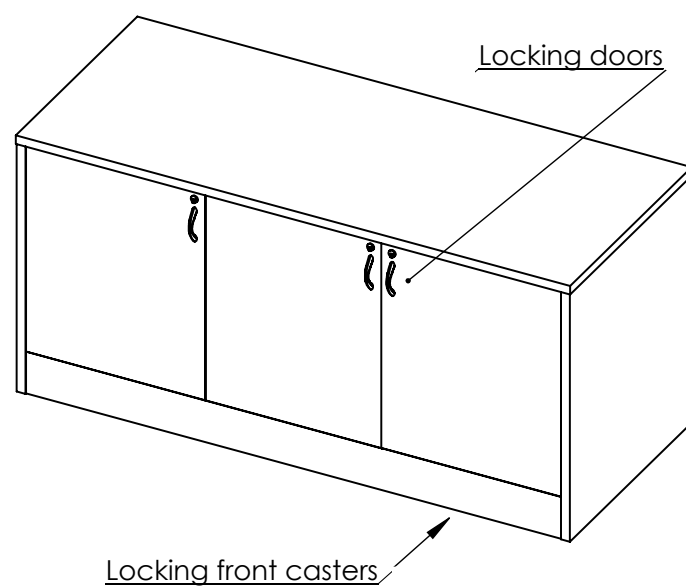


CR-312

(THREE PAIR 12RU RACK RAILS)
3 BAY CREDENZA

Standard features include three 12 or 16RU rack compartments, 20" usable depth, three quiet fans, a removable back for easy access to equipment, Euro-hinged locking doors and casters.

LIST PRICE
\$4,137

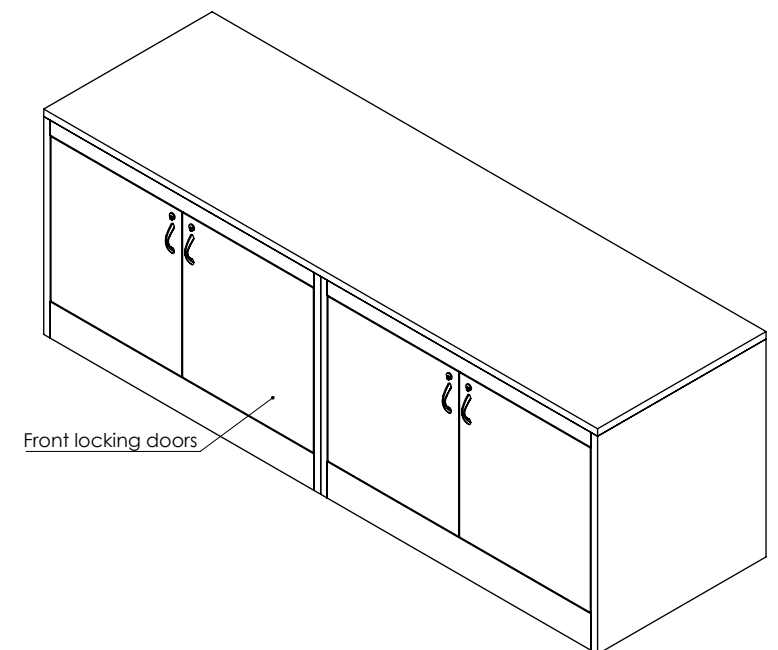


CR-412

(FOUR 12RU COMPARTMENTS)
4 BAY CREDENZA

Standard features include four 12RU rack compartments, 20" usable depth, four quiet fans, a removable back for easy access to equipment, Euro-hinged locking doors and casters.

LIST PRICE
\$5,357



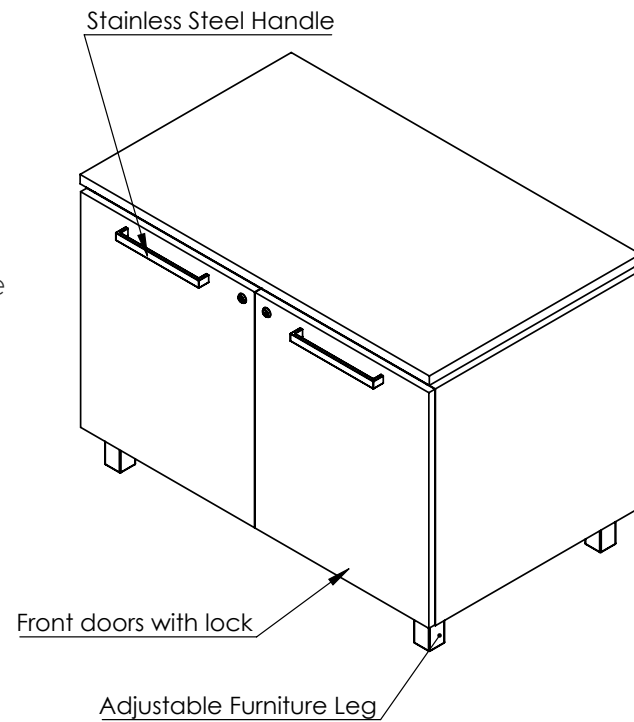
DC-212

TWO BAY CREDENZA (TWO PAIR 12RU RACK RAILS)

The Designer Credenza is out top of the line credenza, it comes with rear venting using ultra quiet 80 cfm thermostat controlled fans (only 17 dba), upgraded handles and 12RU rack rails in each bay, removable rear access panel and furniture feet are standard features.

LIST PRICE

\$3,661



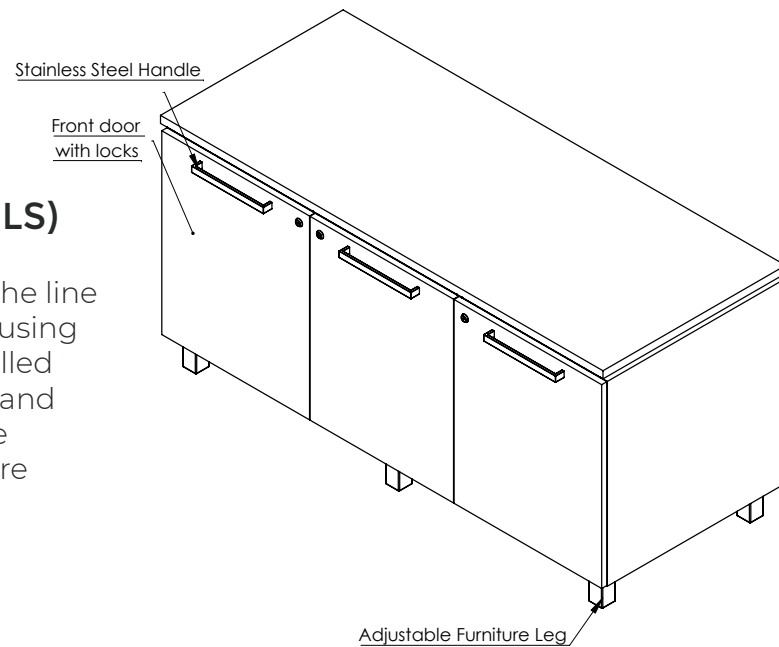
DC-312

THREE BAY CREDENZA (THREE PAIR 12RU RACK RAILS)

The Designer Credenza is out top of the line credenza, it comes with rear venting using ultra quiet 80 cfm thermostat controlled fans (only 17 dba), upgraded handles and 12RU rack rails in each bay, removable rear access panel and furniture feet are standard features.

LIST PRICE

\$5,180



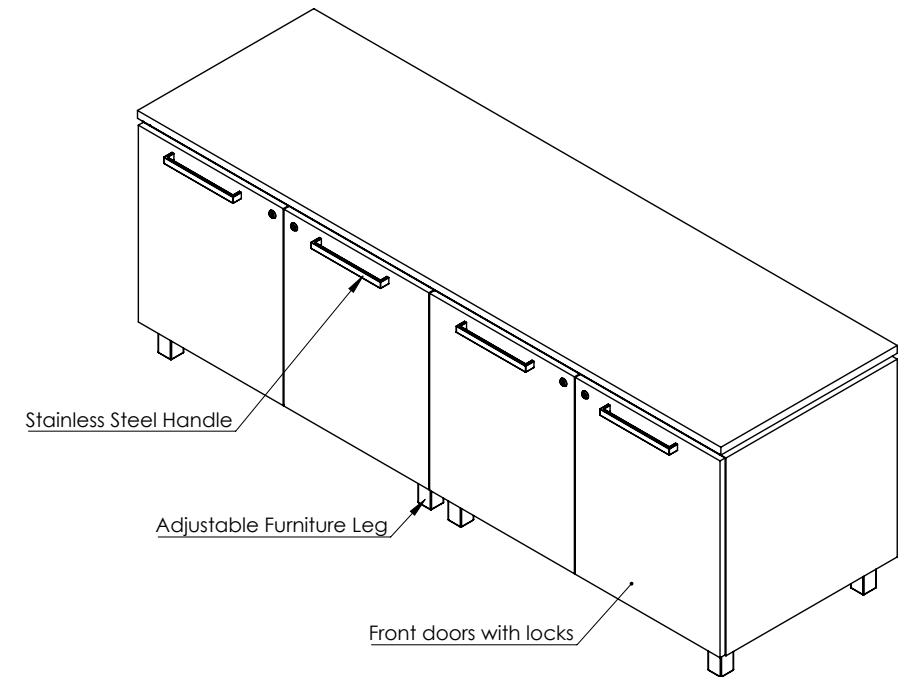
DC-412

FOUR BAY CREDENZA (FOUR PAIR 12RU RACK RAILS)

The Designer Credenza is out top of the line credenza, it comes with rear venting using ultra quiet 80 cfm thermostat controlled fans (only 17 dba), upgraded handles and 12RU rack rails in each bay, removable rear access panel and furniture feet are standard features.

LIST PRICE

\$6,699



RACK CABINETS & CARTS

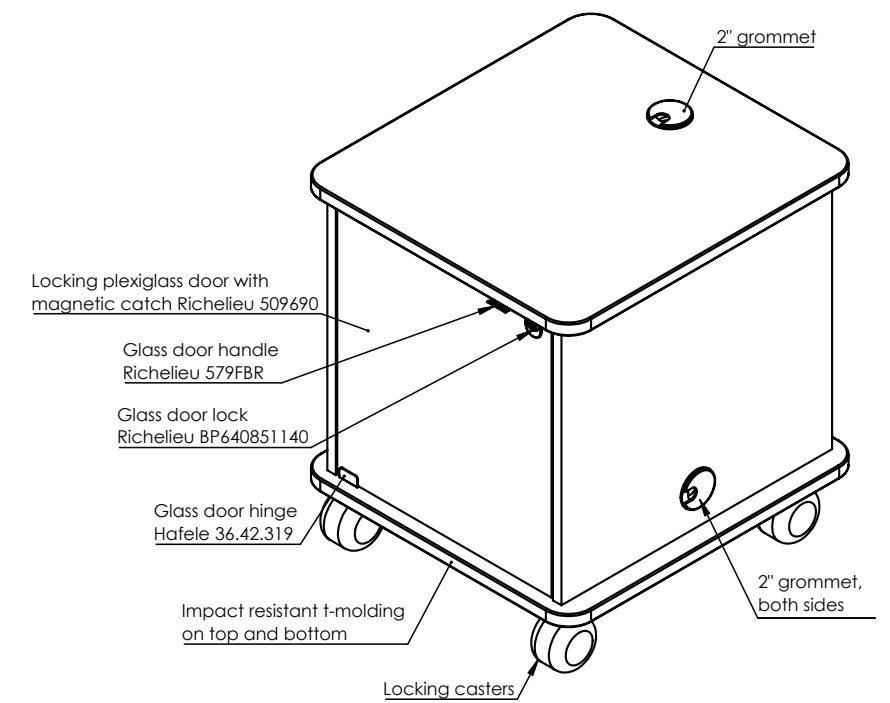


RA-120 (12RU RACK CART)

The Exact Furniture AV cart ships fully assembled and includes front rack rails, removable back, also available with shelves instead of rack rails. The cart is fully mobile with 4" casters standard, and locking Plexiglas front door.

LIST PRICE

\$1,336

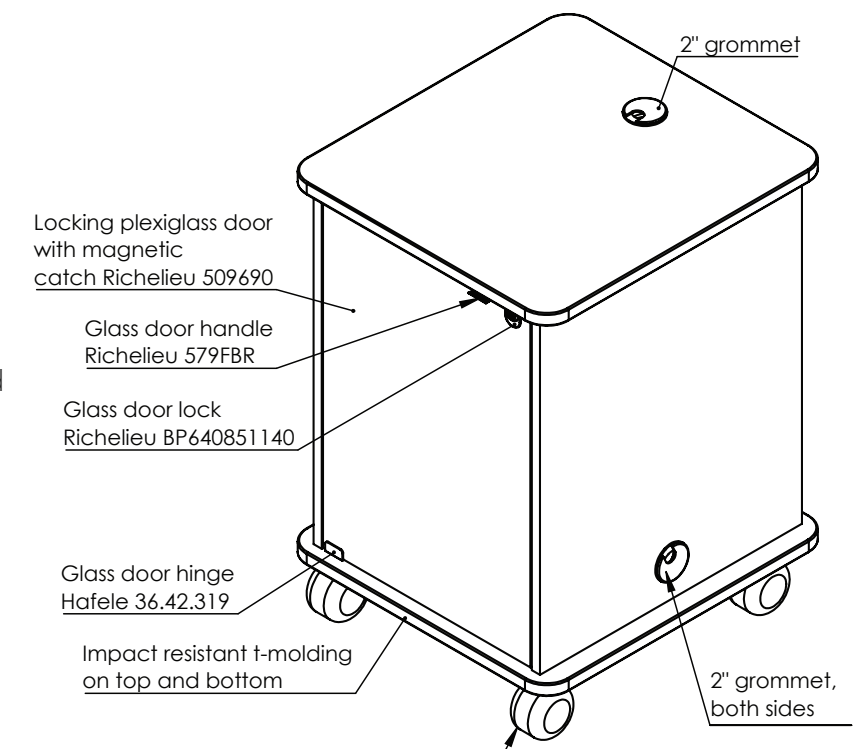


RA-160 (16RU RACK CART)

The Exact Furniture AV cart ships fully assembled and includes front rack rails, removable back, also available with shelves instead of rack rails. The cart is fully mobile with 4" casters standard, and locking Plexiglas front door.

LIST PRICE

\$1,428

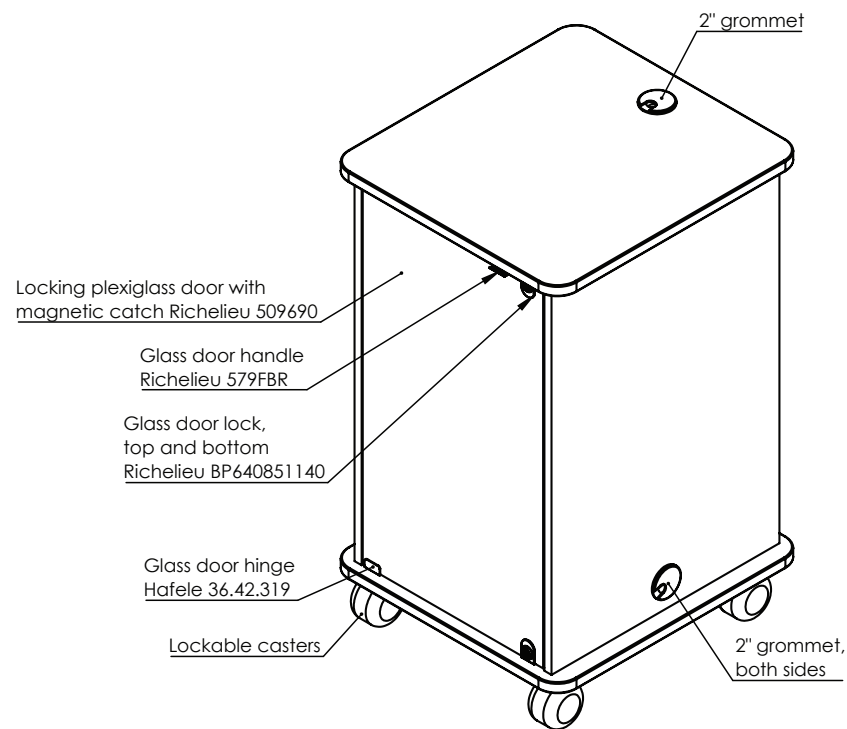


*Drawings may show custom options

RA-200 (20RU RACK CART)

The Exact Furniture AV cart ships fully assembled and includes front rack rails, removable back, also available with shelves instead of rack rails. The cart is fully mobile with 4" casters standard, and locking Plexiglas front door.

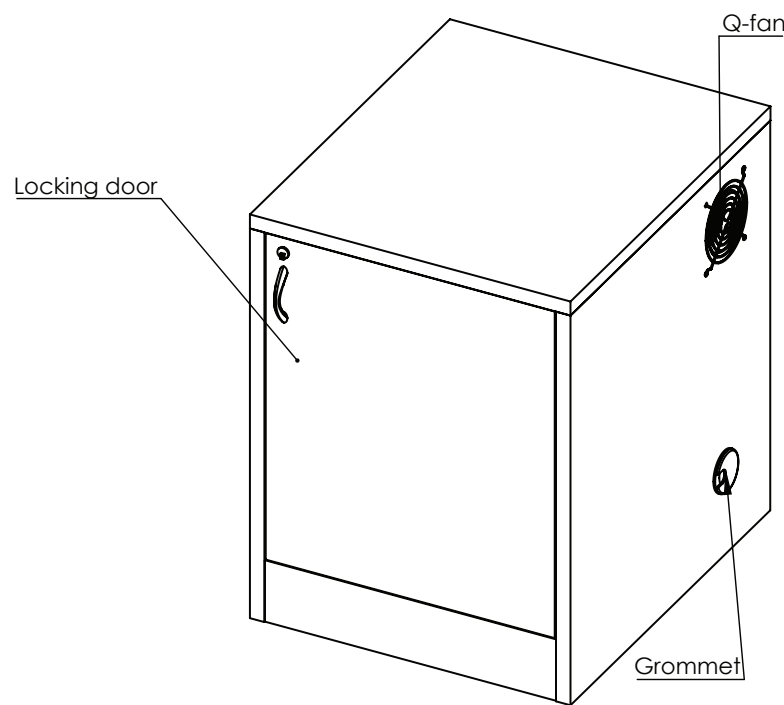
LIST PRICE
\$1,546



RE-112 (12RU RACK ENCLOSURE)

Standard features include front rack rails, 20" usable depth (for 24" usable depth see options XD-30) (custom sizes also available), quiet fan, removable back for easy access to equipment, locking door and casters.

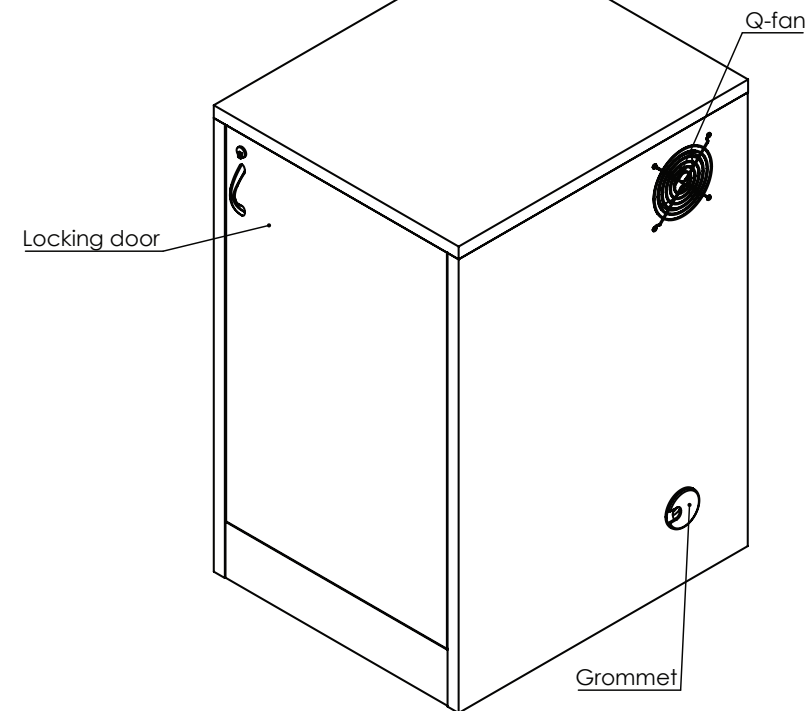
LIST PRICE
\$1,635



RE-116 (16RU RACK ENCLOSURE)

Standard features include front rack rails, 20" usable depth (for 24" usable depth see options XD-30) (custom sizes also available), quiet fan, removable back for easy access to equipment, locking door and casters.

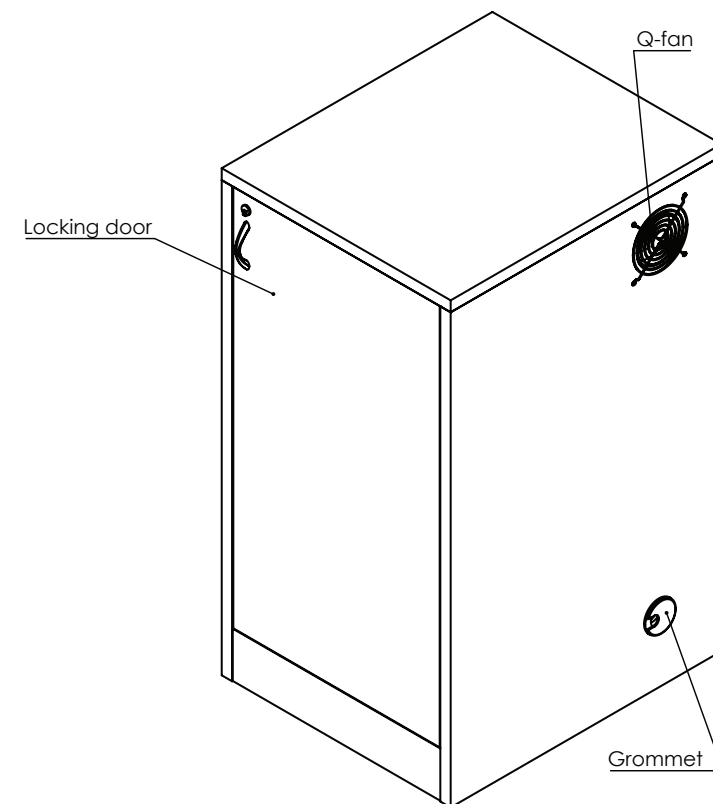
LIST PRICE
\$1,934

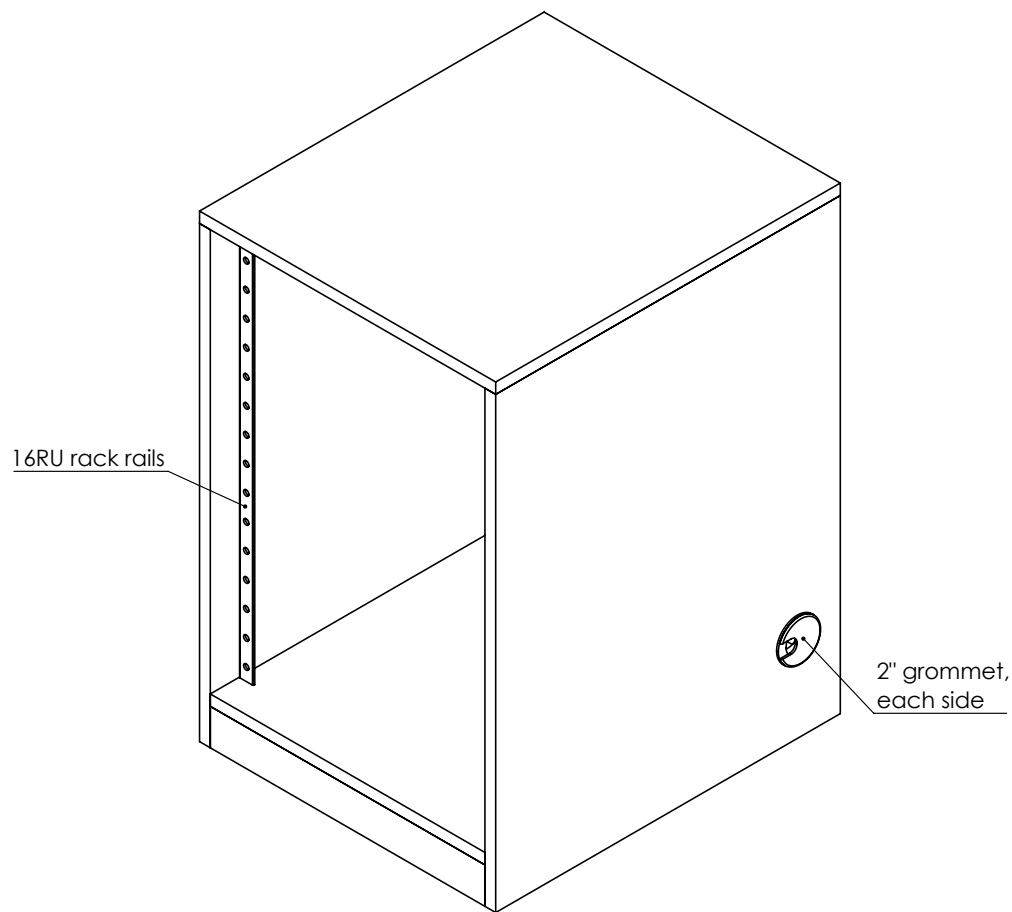


RE-120 (20RU RACK ENCLOSURE)

Standard features include front rack rails, 20" usable depth (for 24" usable depth see options XD-30) (custom sizes also available), quiet fan, removable back for easy access to equipment, locking door and casters.

LIST PRICE
\$2,230





AVCAB-12

(12RU)

LIST PRICE
\$1,218

AVCAB-16

(16RU)

LIST PRICE
\$1,307

AVCAB-20

(20RU)

LIST PRICE
\$1,398

Rack cabinet with levelers and no door. Removable rear access panel is standard, front rack rails standard.

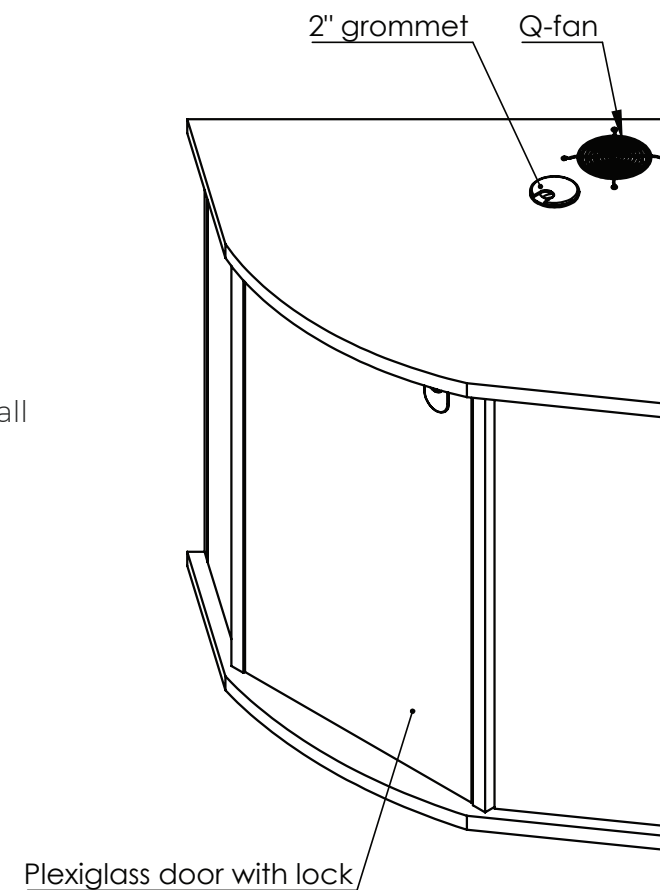
*Drawings may show custom options

CE-160

CORNER RACK ENCLOSURE

The corner rack is designed to maximize the useable space with small shelves on either side of a 16RU rack enclosure.

LIST PRICE
\$2,826



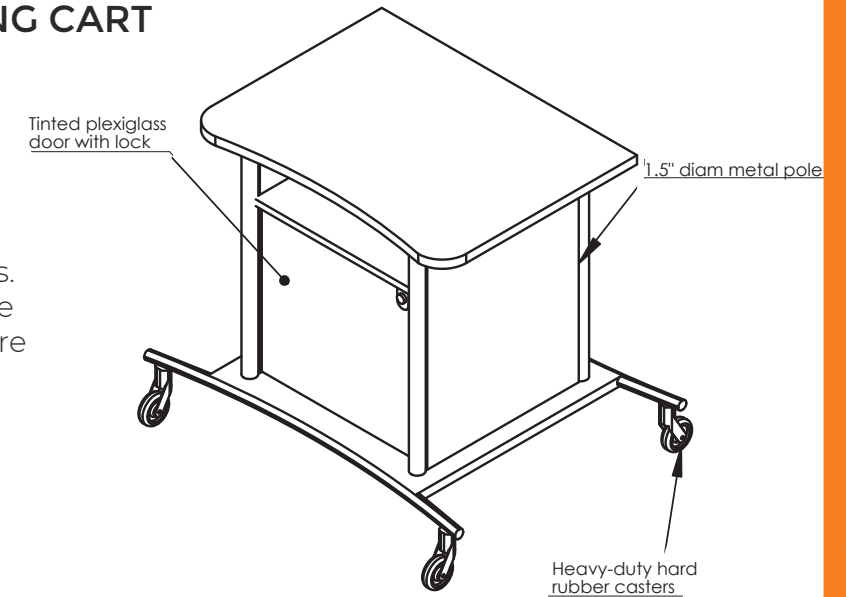
*Drawings may show custom options

DISPLAY FURNITURE



MC-352 HYBRID VIDEO CONFERENCING CART

Exact Furniture's MC-352 gives the look and function of an OEM cart at a fraction of the cost. Metal columns and base with wood sides and back and upgraded casters allow this cart to hold up to one 85" TV or two 65" screens. Locking Plexiglas door and rear door are standard. Our TT or DP series mounts are recommended for this unit.



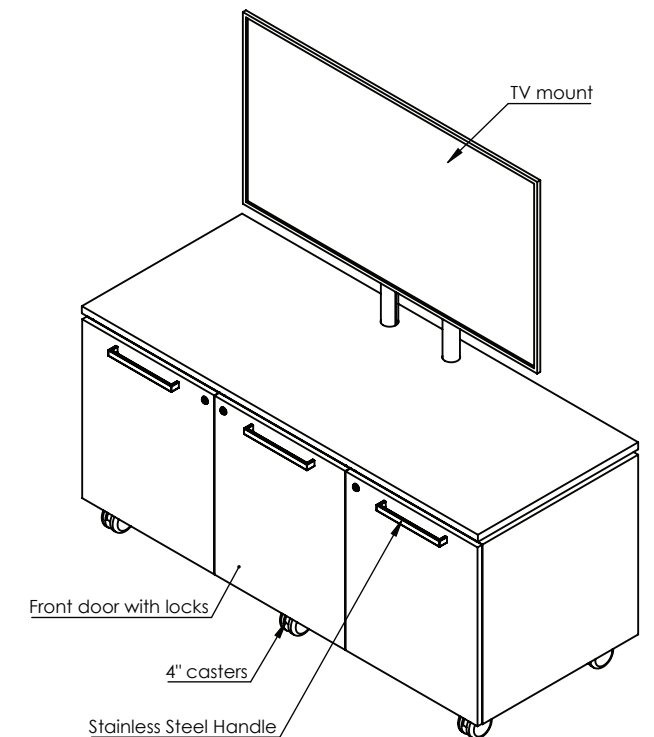
LIST PRICE
\$2,201

MC-364 CREDENZA DISPLAY STAND

The MC-364 Credenza Display Stand offers an attractive alternative to the usual display carts. Heavy duty casters offer mobility and the three large compartments provide lots of room for storage of equipment. A locking removable back is standard, 12RU rack rails in the outside compartments are optional. Our DP series mounts are recommended for this unit.

**Monitors not included*

LIST PRICE
\$3,453



**Drawings may show custom options*

MC-600

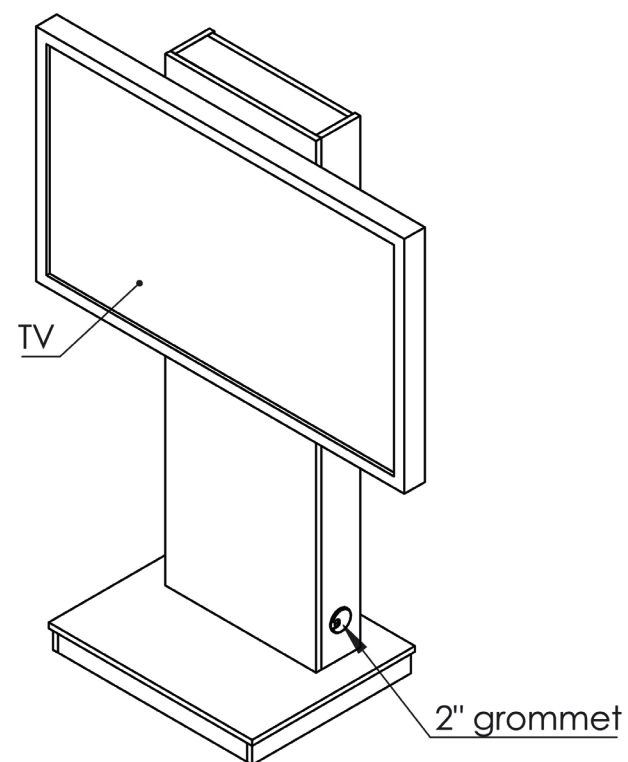
MOBILE MONITOR STAND

The mobile monitor stand offers an attractive alternative to the usual metal carts. The locking rear access compartment is rack width and there is room for 3RU vertically. The MC-600 includes levelers but casters are optional. A mount that holds most 37" to 85" TV's is included.

**Monitors not included*

LIST PRICE

\$2,141



MC-700

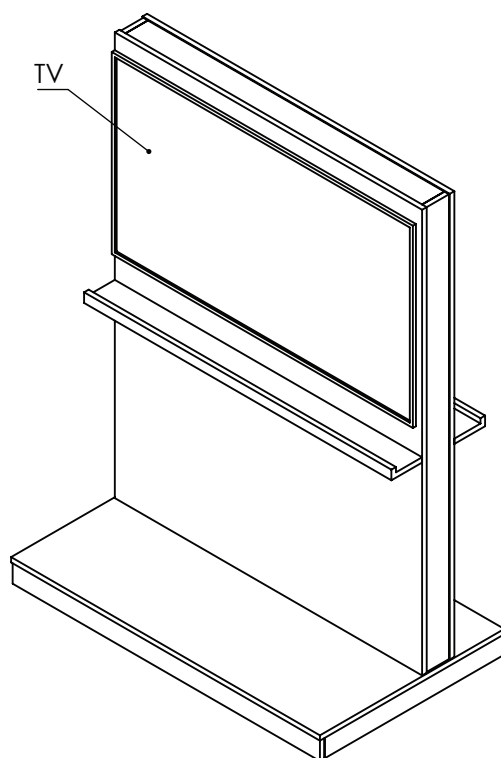
MOBILE TV AND WHITEBOARD WALL

This mobile unit combines the advantages of a Mobile cart and a Whiteboard. The top half of the back is laminated in whiteboard laminate, and there are shelves for pens and markers on both sides. Locking access panel on whiteboard side, 3" casters, available for 46", 55" and 65" TV's.

**Monitors not included*

LIST PRICE

\$4,555



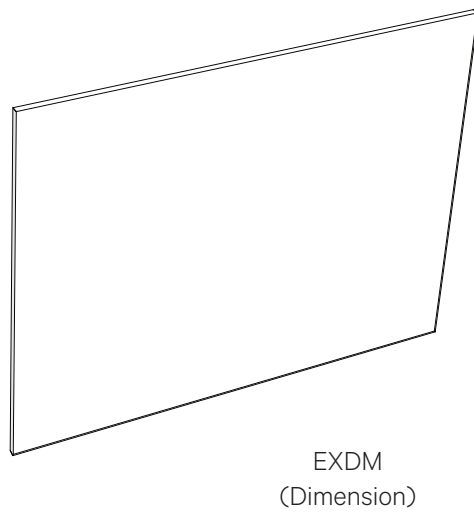
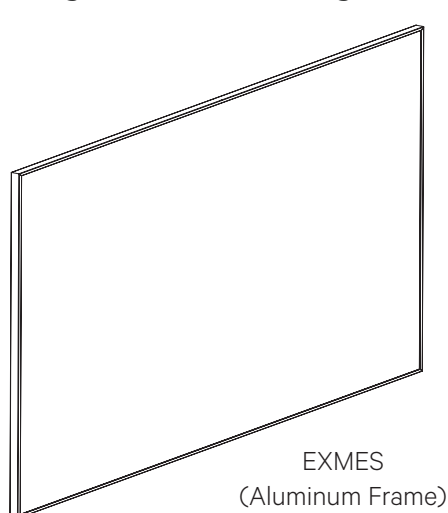
WHITEBOARDS



PROJECTION WHITEBOARDS

FRAMED & FRAMELESS PROJECTION DRY-ERASE BOARDS

Aluminum frame and frameless boards with stylus friendly surface and excellent projection due to its low-gloss and low-glare. The surface is dry-erase compatible and the steel backing also makes it magnetic.



FINISHES & OPTIONS



MODEL #	SIZE	DESCRIPTION	LIST PRICE
EXMES6448W	64"W x 48"H	Designed for use with interactive projectors. 4:3 Aspect Ratio. 64"w x 48"h. 80" Diagonal. Steel backed, Recycled Aluminum Frame with Recycled Honeycomb core. Stylus friendly surface and excellent projection with low-gloss.	\$961
EXMES7748W	77"W x 48"H	Designed for use with interactive projectors. 16:10 Aspect Ratio. 77"h x 48"w. 90" Diagonal. Steel backed, Recycled Aluminum Frame with Recycled Honeycomb core. Stylus friendly surface and excellent projection with low-gloss.	\$1,097
EXMES8251W	82"W x 51"H	Designed for use with interactive projectors. 16:9 Aspect Ratio. 82"h x 51"w. 96" Diagonal. Steel backed, Recycled Aluminum Frame with Recycled Honeycomb core. Stylus friendly surface and excellent projection with low-gloss.	\$1,321
EXDM6448WH	64"W x 48"H	64" x 48" (4:3) 80" Diagonal. 1" Thick Monolithic Magnet compatible Markerboard. Stylus friendly surface and excellent projection with low-gloss.	\$1,512
EXDM7748WH	77"W x 48"H	16:10 Aspect Ratio. 77"h x 48"w 90" Diagonal. 1" Thick Monolithic Magnet compatible Markerboard. Stylus friendly surface and excellent projection with low-gloss.	\$1628
EXDM8251WH	82"W x 51"H	16:9 Aspect Ratio. 82"h x 51"w 96" Diagonal. 1" Thick Monolithic Magnet compatible Markerboard. Stylus friendly surface and excellent projection with low-gloss.	\$1815

SOME OPTIONS NOT AVAILABLE ON ALL PRODUCTS

PRODUCT CODE	OPTION	LIST PRICE
AC+USB	Dual A/C outlet with two USB chargers	\$203
BASE	Base to raise casters off floor	\$372
CABLE	L shaped cable trough for tables	\$447
CAST-3	Four 3" casters	\$128
CAST-PN	6" Pneumatic casters (4 casters)	\$343
CAST-PR	Premium caster upgrade (4 casters)	\$210
CPH	Housing for Control Panel or other devices that attaches to work surface, includes two cut outs	\$417
CUT-OUT	Custom cutout	\$149
DASH	Full angled dash with one cutout for small screen	\$417
DASH-PA	Partial dash with one cut out for small screen	\$357
DASH-MON	Dash with cut out for one 15" to 24" monitor	\$593
DOOR	Wooden door for RA-units	\$224
DOOR-WF	Wood framed glass door	\$298
DP-200	"Dual pole TV mount, 37" to 85" TV. Poles bolted to base of cabinet. Max hole pattern 850mm wide by 480mm high. Camera mount included"	\$1,159
DP-400	"Dual TV mount, maximum screen size 65" x 2, poles bolted to base of cabinet. Max hole pattern 750mm wide by 480mm high. Camera mount included"	\$1,576
DOC-DR	Document camera drawer	\$444
DRAWER	Small drawer no cut out required	\$298
EL-100	Electronic locks	\$372
HIN-270	270 degree hinges (one door) -Not available on all products	\$104
KEY	Keyboard slide	\$268
LC-400	Small brushed aluminum cable well, VGA, 3.5 audio, HDMI, Cat6, USB extension (female to male), and AC outlet	\$503
LC-500	Large brushed aluminum cable well with 4 Network connections 4 AC outlets and 12 holes to add cables	\$623
LEVEL	Levelers instead of casters	Call for pricing
LIGHT	Hi-Intensity gooseneck light	\$253
MIC	Shock mounted gooseneck condenser microphone	\$742
MODESTY	Modesty panel for DS-700	\$596
MON-FLIP	Flip up monitor mount	\$670

SOME OPTIONS NOT AVAILABLE ON ALL PRODUCTS

PRODUCT CODE	OPTION	LIST PRICE
MON-TRO	Monitor Trough or well	\$477
MT-LCD	LCD mount fully articulated VESA 75 and 100	\$354
PB	15A 8 outlet surge protect power bar 6' cord	\$116
PB-RACK	15Amp 12 outlet rackable power bar, 15' cord	\$253
PLEXI	Locking Plexiglas door	\$134
PM-DOOR	Locking door for PM-300 or PM-900	\$238
POCKET	Pocket doors per pair (not available on all units)	\$804
PRIVACY	Privacy screen	\$298
QFAN	Quiet Cooling Fan (50CFM)	\$194
RE-BACK	Removable back	\$268
RR-08	8RU Rack Rails (pair)	\$119
RR-10	10RU Rack Rails (pair)	\$134
RR-12	12RU Rack Rails (pair)	\$149
RR-16	16RU Rack Rails (pair)	\$164
RR-20	20RU Rack Rails (pair)	\$179
SH	Extra shelves-each	\$124
SH-SIDE	Flip up side shelf	\$253
SH-SL	Slide out shelf	\$253
SLIDE	Slide out top for ED-MPD units	\$745
SPEAK	Speakers (2)	\$328
TH-FAN	Ultra quiet Thermostat fan (80CFM) 17dba	\$268
TOP-SL	Sloped top with pencil ledge	\$238
TT-200	"Table top flat panel mount, holds most 37" to 85" TV's, bolts to work surface. Max hole pattern 850mm wide by 480mm high. Camera mount included"	\$950
TT-400	Table top Dual flat panel mount, maximum two 65" TV's, bolts to work surface max hole pattern 750mm wide by 480mm. Camera mount included	\$1,427
VENT 15	Ventilation Panel 15" x 3.5"	\$104
VENT 19	Ventilation Panel 19" x 3.5"	\$104
VENT 12	Ventilation Panel 12" x 6"	\$149
VENT 18	Ventilation Panel 18" x 9"	\$238
WM-80	Flat panel wall mount, fits most 37" to 85" TV's	\$208
XD-30	Extra deep 30" Credenza	\$298

STANDARD LAMINATES

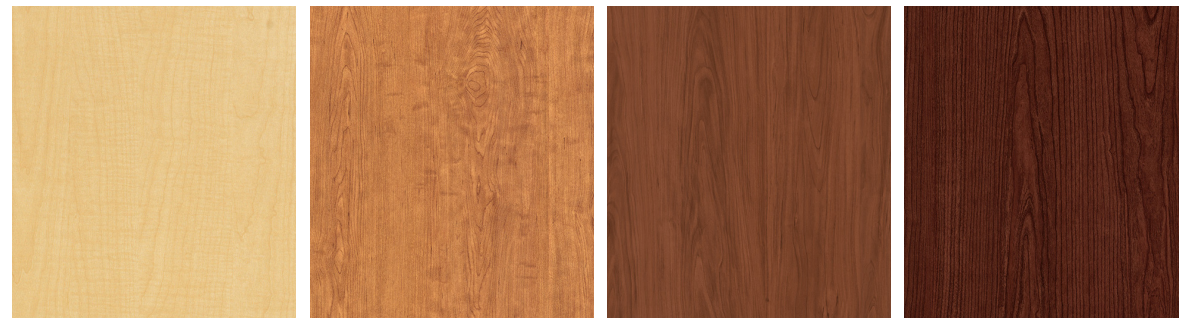


White Washed Birchply (WWB)

Ashwood Bone (AB)

Buff Elm (BE)

Hazel Walnut (HW)

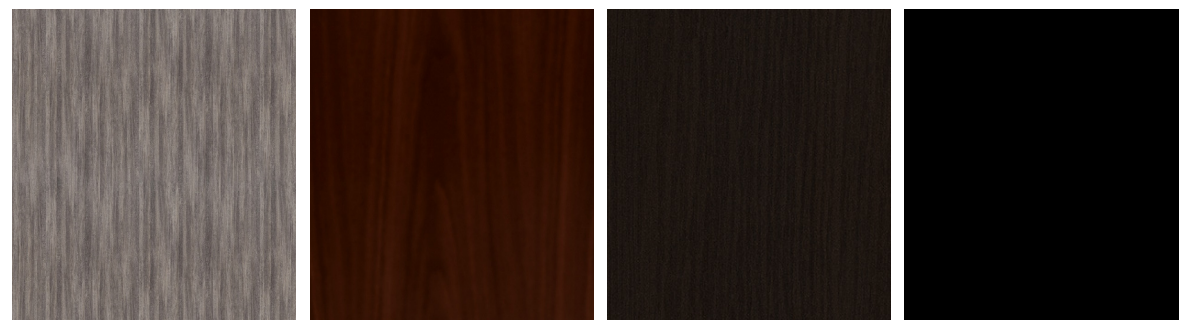


Sand Maple (SM)

Cognac Maple (CM)

Cinnamon Cherry (CC)

Select Cherry (SC)



Blackened Fiberwood (BF)

Noble Mahogany (NM)

Cocoa Oak (CO)

Black (BL)



Brite White (BW)

Gray Grafix (GG)

Platinum Gray (PG)

Stainless (ST)



FREIGHT RATES FOR DOCK TO DOCK SERVICE

PRODUCT CODE	ZONE 1	ZONE 2	ZONE 3
AVCAB12-20	\$285	\$360	\$397
CA-460,550 and 650	\$308	\$396	\$426
CR and DC-212 and CE-160	\$308	\$396	\$427
CR, and DC-216, 220 and 312	\$344	\$460	\$544
CR and DC -316 and 412	\$432	\$547	\$631
CT-400, 600	\$373	\$460	\$544
CT-720 and CT-LIFT	\$461	\$577	\$661
CT-730	\$373	\$460	\$514
DS-600,4230,6030	\$308	\$396	\$426
DS-680 DS-720	\$368	\$489	\$544
DS-700, 710, 740, 900	\$368	\$460	\$514
DS-600L, DS-800	\$414	\$518	\$573
DS-900-Rack, DS-950-Rack	\$432	\$518	\$573
DS-3040	\$475	\$563	\$650
ED-MPD3048-3072	\$344	\$430	\$480
ED-LEC3824	\$315	\$419	\$456
LT-3048 to 3072	\$285	\$354	\$397
MC-352,600, IC-1000	\$285	\$354	\$397
MC-700 and MC-364	\$308	\$401	\$438
MM-200, 250, 850	\$297	\$372	\$409
MM-1200 \$210 \$262 \$336	\$344	\$430	\$480
MM-2500	\$414	\$513	\$573
PM-200,250 300 and 350	\$285	\$360	\$397
PM 400, 432, 436, 900 and PM-350-LIFT	\$315	\$419	\$456
PM-500, 550, PMT-100	\$344	\$489	\$573
PM -4800	\$402	\$524	\$597
RA-120, 160	\$285	\$360	\$397
RA-200	\$297	\$354	\$409
RE-112, 116	\$297	\$354	\$409
RE-120	\$297	\$354	\$409

- Zone 1 states include MS, AL,TN,KY, IN, MI, CH, WV, AL, GA, SC, NC, VA, PA, NY, VT, NH, MA, ME, MD, DE, NJ, CT, RI.
- Zone 2 states include MT, WY, CO, NM, TX, OK, KS, NE, SO, ND, MN, IA, MO, AR, LA, FL.
- Zone 3 consists of CA, AZ, NV, OR, WA, UT, ID.
- For options shipping on their own please call for a freight quote.
- For units shipping with TT or DP mounts add \$25.00 for mount
- If Lift gate delivery is required it is an extra \$75.00 except \$85.00 in zips 10000 to 11999
- If Inside delivery is required it is an extra \$70.00.
- Residential delivery, Schools, Military bases and Prisons are an extra \$60.00 charge due to limited access
- To have the carrier call to arrange an appointment for delivery is an extra \$30.00
- Please advise us if additional services such as unpacking of the product and removal of boxes is required, our carriers can usually provide this for an additional charge.



EXACT FURNITURE



ADDRESS



300 Hanlad Road. Vaughan, ON
Canada, L4L 3P6

Suite 10-151
222 W Merchandise Mart Plaza,
Chicago, IL, 60654



OFFICE



Toll Free: 800-648-9125
Office: 905-856-8887



EMAIL



sales@exactfurniture.com